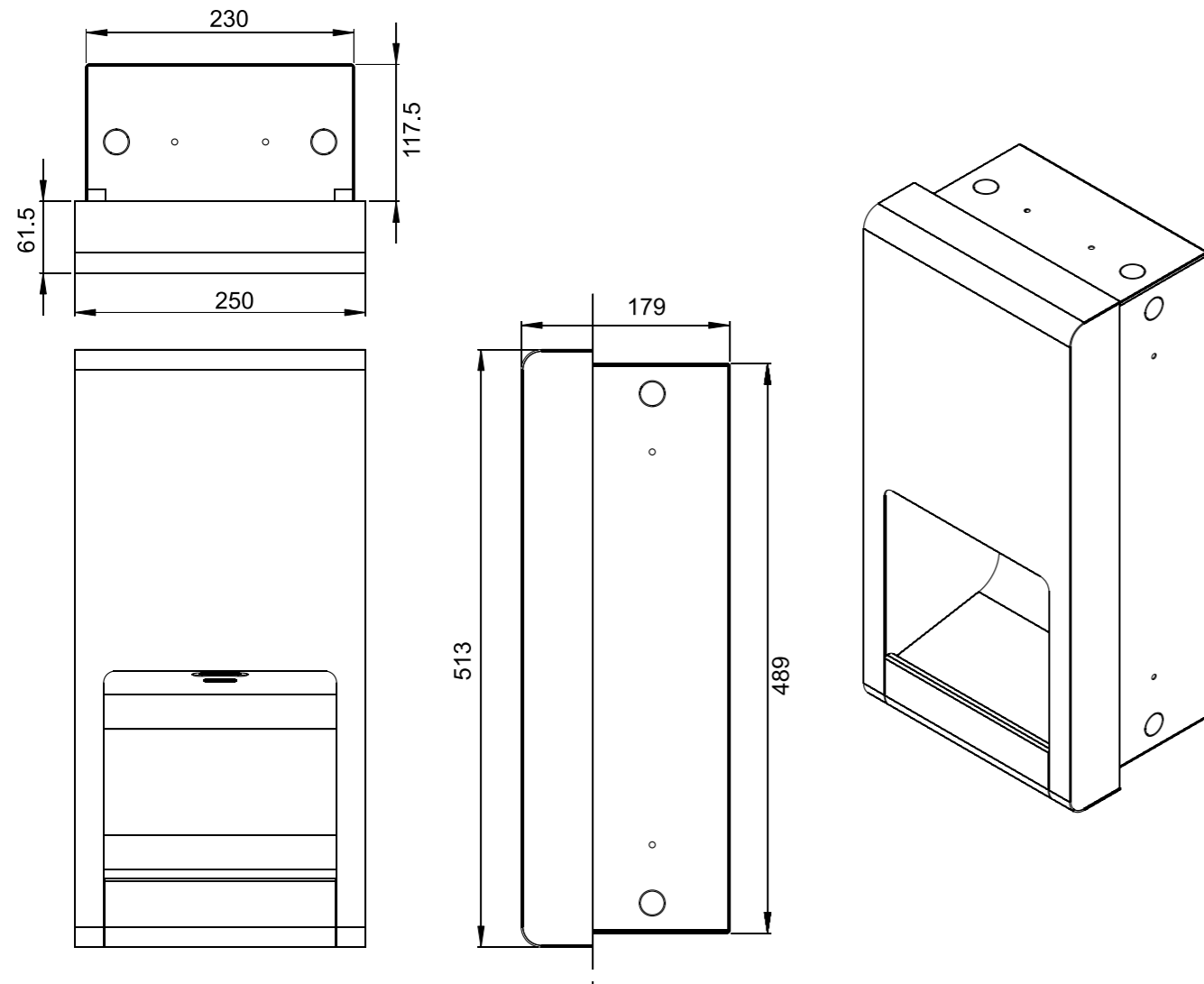
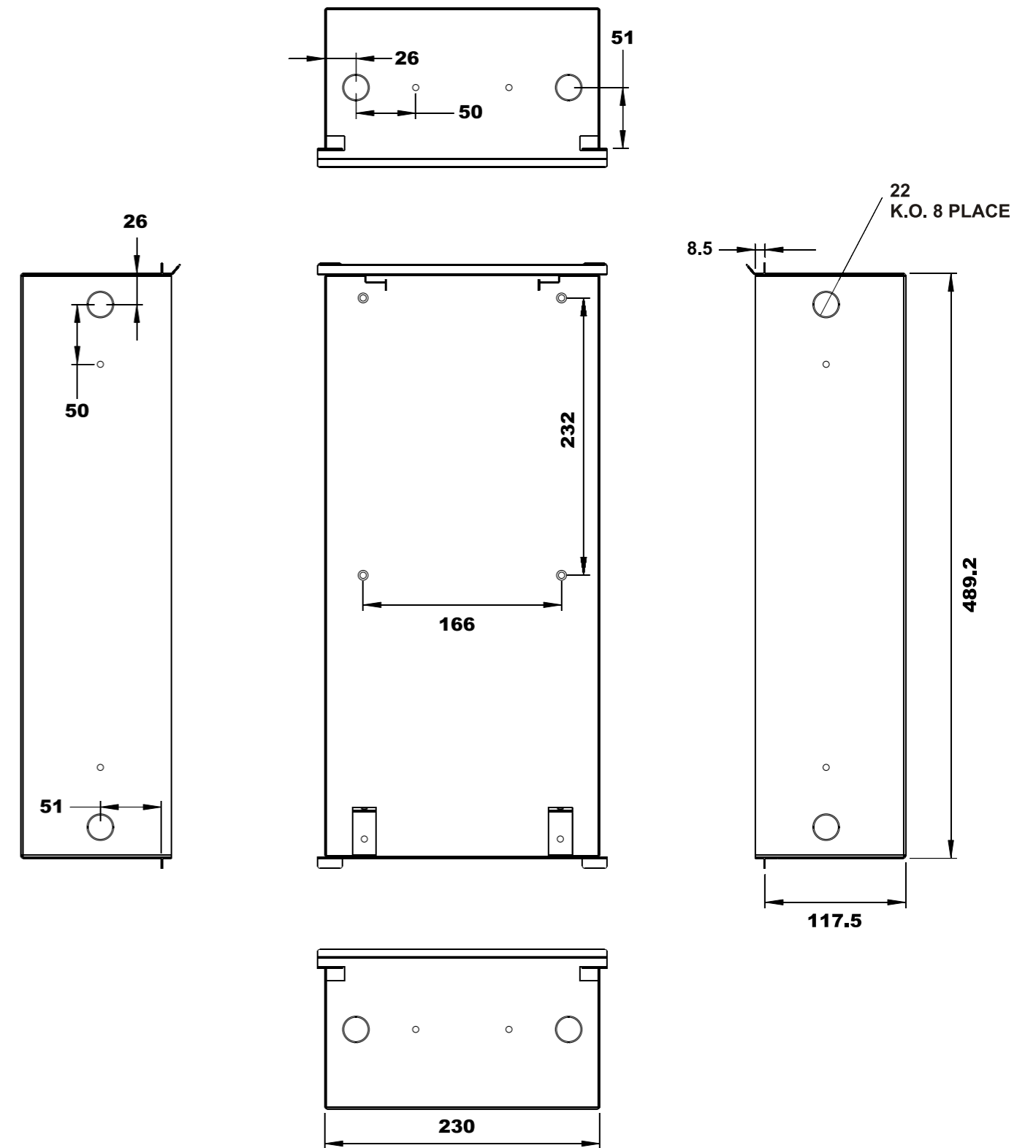


Diagram: mm

Rough wall opening: 235 x 495 x 182 mm

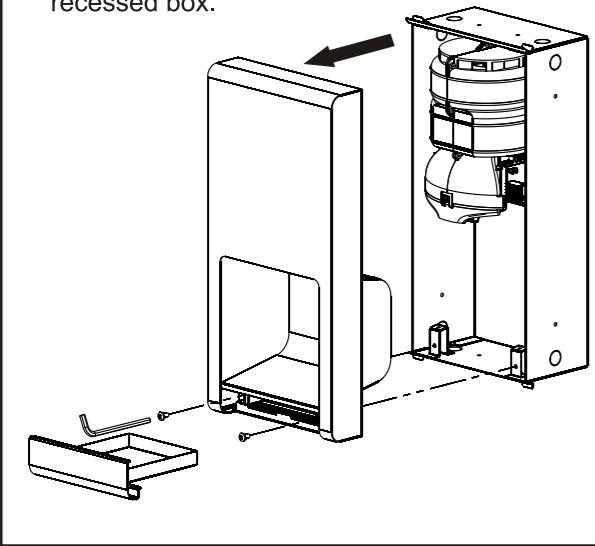


Recessed Box: (mm)

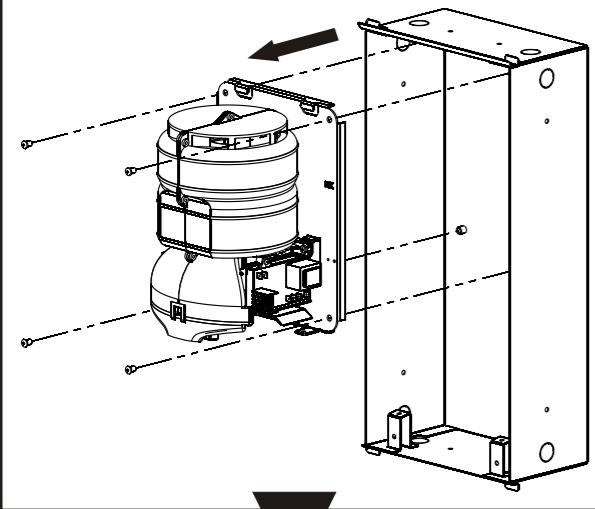


Installation:

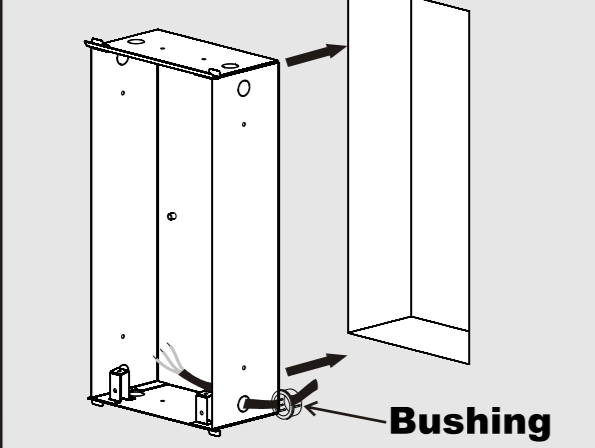
1. Remove the front cover from the recessed box.



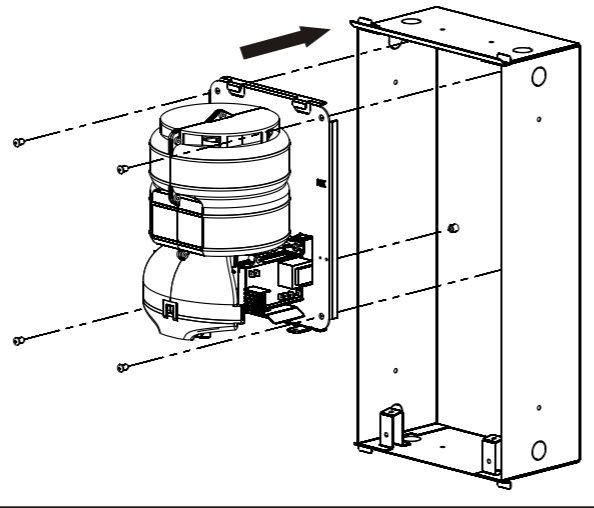
2. Remove the main unit from the recessed box.



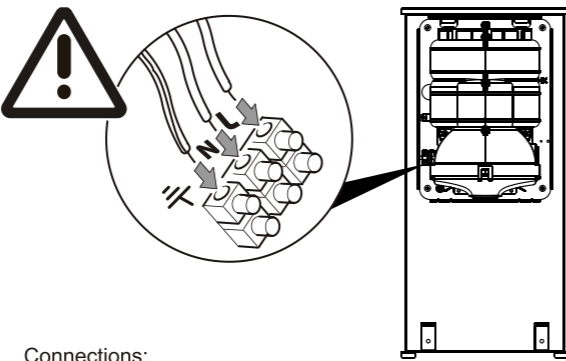
3. Insert the bushing into the side hole of the recessed box. Insert the recessed box into the wall and fix it.



4. Attach the main unit back to the recessed box.

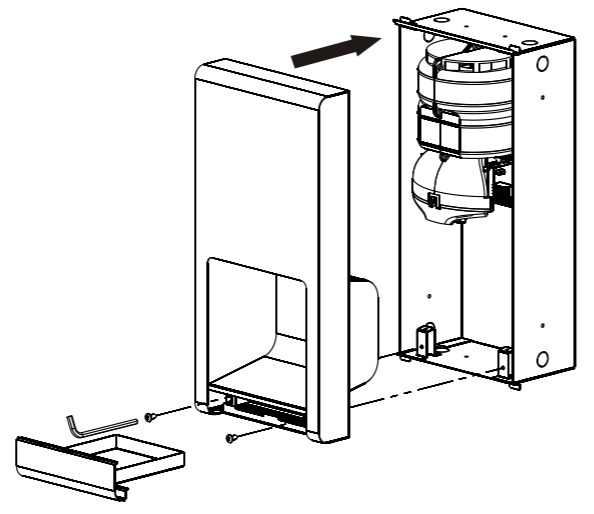


5. The wire connections are as follows :

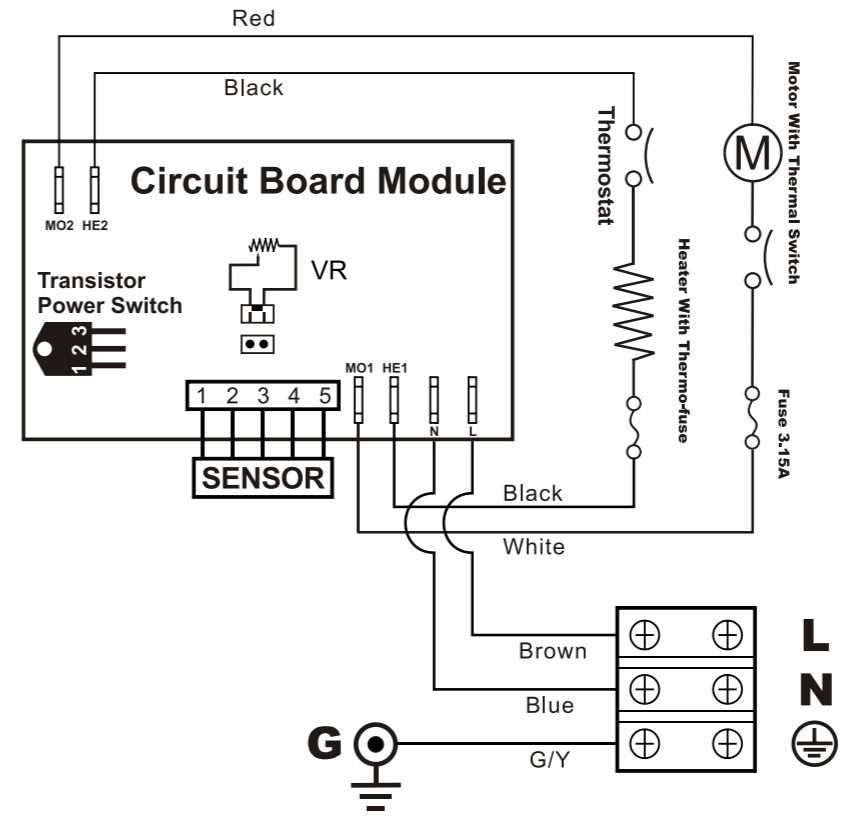


Connections:
 A. Connect the live wire (colored red or brown) to the terminal block marked "L".
 B. Connect the neutral wire (colored black or blue) to the terminal block marked "N".
 C. Connect the ground wire (colored green and yellow) to the green screw marked "⊕".

6. Attach the front plate back to the recessed box.



Circuit Diagram



(220-240~Vac)

Diagnosics and Remedies

Symptom	Corrective Actions for Initial Installation Failures
If the dryer will not run	First ensure that the breaker supplying the dryer is operational. If it is, disconnect the power and remove the dryer cover. Taking suitable precautions to avoid shock hazard, reconnect the power and check for Voltage at the terminal block. Verify that connections are made correctly. Adjust the VR to make sure it is not set too low.
The dryer cycles by itself or runs constantly	Ensure that there is no obstruction on or in front of the IR sensor. Clean any dirt or debris off the sensor lens. If problem persists, replace sensor.
The dryer makes a loud noise and does not run for a complete cycle	Ensure that the supply Voltage is correct. Dryer will make a loud humming noise if the input Voltage is too high. Verify Voltage requirement on unit rating label and correct supply as required. If CBM has been damaged, replace CBM, IR sensor module and VR component and cable.
The dryer runs but air stream is low pressure and/or low velocity	Ensure that the supply Voltage is correct. Dryer will run weakly if the input Voltage is too low. Verify Voltage requirement on unit rating label and correct supply as required.

Symptom	Corrective Actions for In-Service Failures
If the dryer will not run	First ensure that the breaker supplying the dryer is operational. If it is, disconnect the power and remove the dryer cover. Replace the CBM and IR sensor module. Test the VR for open circuit (see Technical Specifications for value). Replace VR if $\Omega = \infty$. Taking suitable precautions to avoid shock hazard, reconnect the power and check for Voltage at the terminal block.
The IR sensor only "sees" close range objects	Ensure that there is no obstruction on or in front of the IR sensor. Clean any dirt or debris off the sensor lens. If problem persists, disconnect the power and remove the dryer cover. Taking suitable precautions to avoid shock hazard, reconnect the power and try carefully adjusting the sensitivity control (yellow shaft in blue box on CBM) to increase the sensing range. If problem persists, replace sensor.
The heater gets hot but no air stream is produced	Disconnect the power. Remove the dryer cover and disassemble the blower-motor/fan housing. Replace the fan motor.
The dryer only blows cold air during a full cycle	Disconnect the power. Remove the dryer cover and disassemble the blower-motor/fan housing. Test the thermostat for open circuit. Check the heater element for signs of burning or breakage. Damaged element must be replaced.
The air stream is low pressure and velocity	Check the output nozzle for obstructions. If none are present, disconnect the power. Remove the dryer cover. Remove any dust/lint buildup from intake vent slots. Disassemble the blower-motor/fan housing. Check the motor brushes for worn condition ($\leq 25/64$ " [10 mm] graphite remains) and replace them, if necessary.



Intelligent Facility Solutions Ltd
 Electric Works
 3 Concourse Way
 Sheffield
 S1 2BJ

phone: +44 (0)114 354 0047
 email: service@ihdryers.co.uk
www.intelligentanddryers.com