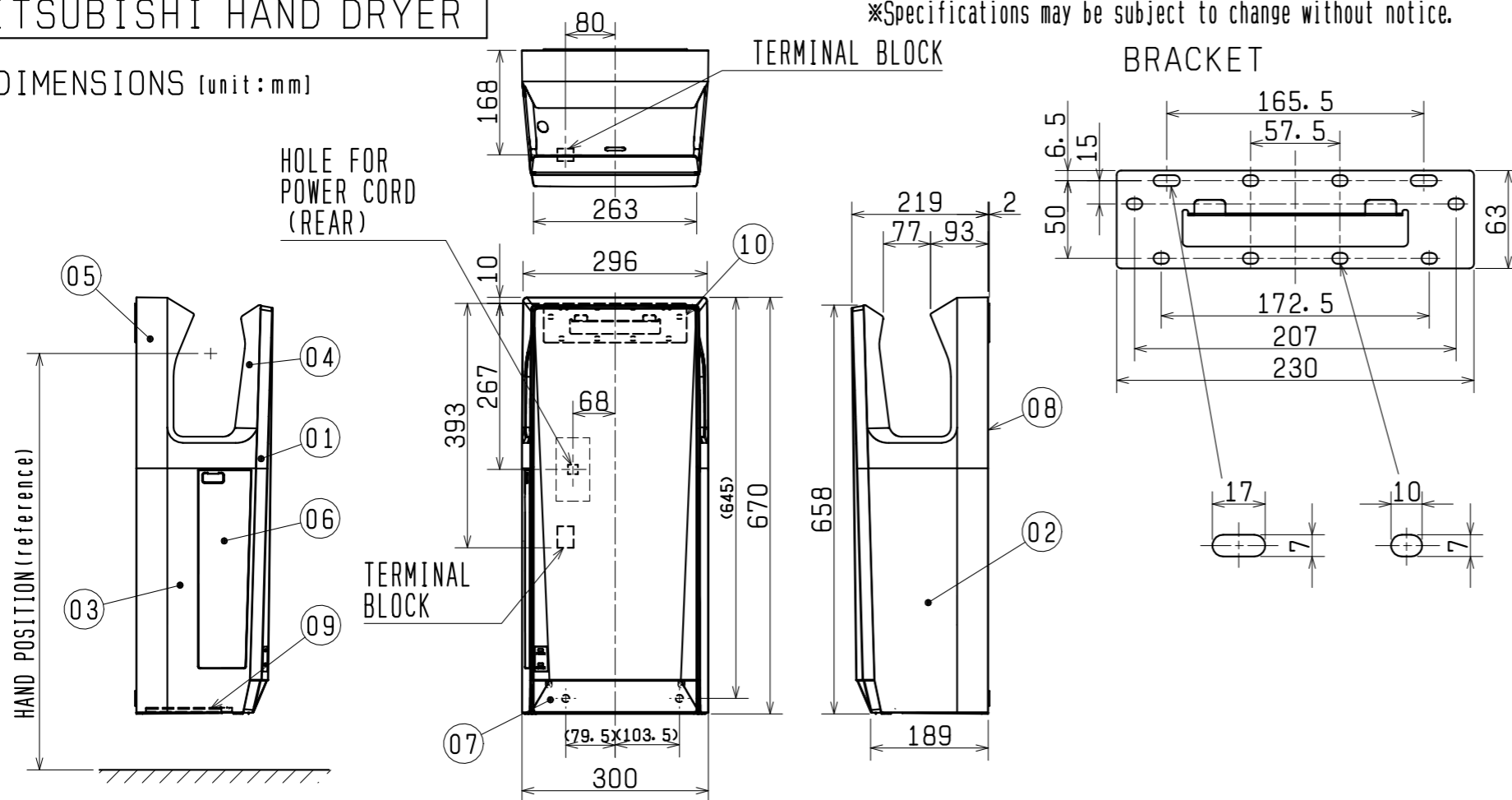


MITSUBISHI HAND DRYER

*Specifications may be subject to change without notice.

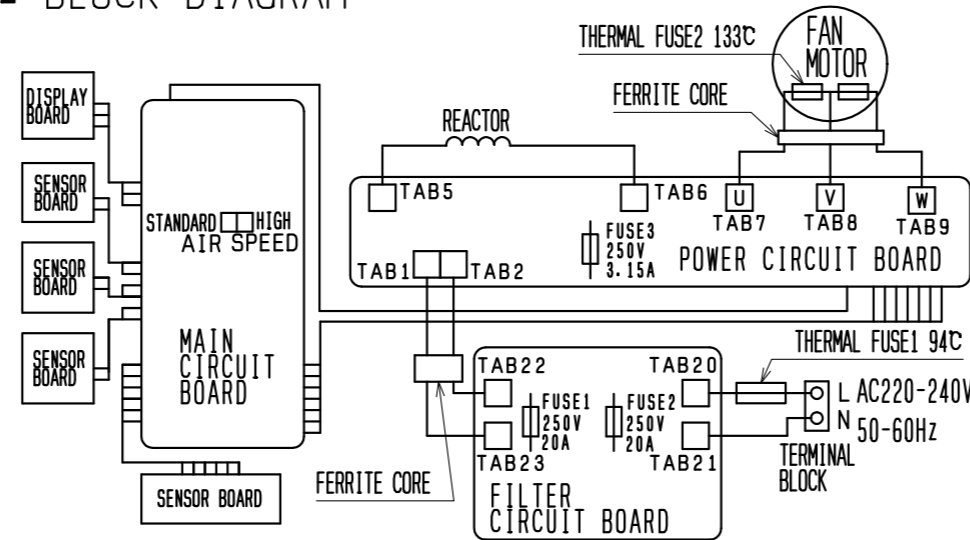
■ DIMENSIONS (unit: mm)



■ EXTERIOR MATERIALS

No.	PARTS	MATERIALS	COLOR (MUNSELL)
01	FRONT PANEL	ABS RESIN	WHITE (7.1B: HUE 9.2: BRIGHTNESS 0.2: CHROMA)
02	SIDE PANEL-R	ABS RESIN	
03	SIDE PANEL-L	ABS RESIN	
04	PANEL-FRONT	ABS RESIN	
05	PANEL-BACK	ABS RESIN	
06	SIDE COVER	ABS RESIN	
07	DRAIN TANK	ABS RESIN	
08	BASE	PP RESIN	BLACK
09	AIR FILTER	PP RESIN	BLACK
10	BRACKET	STAINLESS STEEL (1.2mm THICKNESS)	

■ BLOCK DIAGRAM



■ SPECIFICATIONS

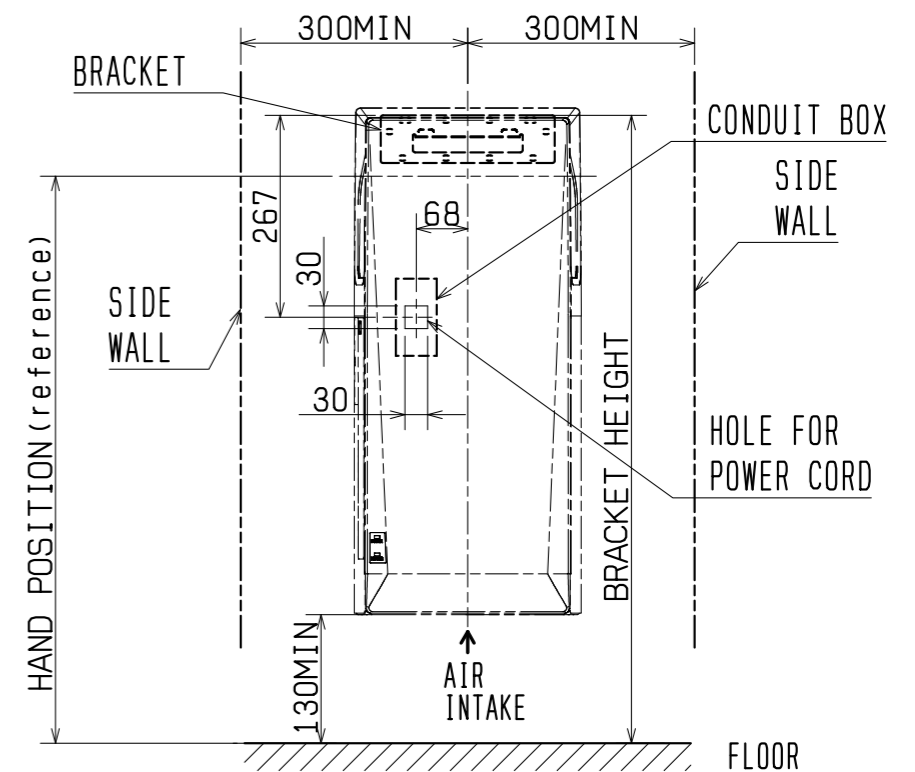
MODEL	RATED VOLTAGE (V)	RATED FREQUENCY (Hz)	MOTOR SPEED	RATED CURRENT (A)	POWER CONSUMPTION (W)	AIR SPEED (m/s)	NOISE (dB)	WEIGHT (kg)	DRAIN TANK CAPACITY (ℓ)
JT-SB216KSN2-W-NE	220-240 SINGLE-PHASE	50-60	HIGH	3.9-4.2	720	106	59	11	0.8
			STANDARD	3.0-3.2	550	98	56		
MOTOR TYPE	BRUSHLESS MOTOR (4POLE)		SAFETY MEASURES		THERMAL FUSE AND OVER CURRENT FUSE				
DIELECTRIC STRENGTH	A.C. 3000V FOR 1MINUTE		INSULATION RESISTANCE		10MΩ OR MORE (MEASURED BY DC500V MEGGER)				

- Air speed is calculated from the static pressure measured by the pitot tube. (at the nozzle)
- Noise is the A range value measured in an anechoic room. (Average as 3 points, 2m from the front and both sides)
- The heater is turned off automatically when ambient temperature is 30°C or more.
- Compliance : LVD, EMC Directive, ErP Directive (COMMISSION REGULATION (EC) No.1275/2008), RoHS Directive.



■ INSTALLATION

1. Read the installation manual thoroughly before beginning installation to ensure the appliance is installed safely and correctly. Local installation standards should be obeyed and installation should be performed by the dealer or a qualified professional.
2. Be sure to install a ground-fault circuit interrupter. A means for disconnection must be incorporated in the fixed wiring in accordance with the wiring rules. Use wires in compliance with the wiring rules within a range of 1.0mm² or over and less than 2.5mm².
3. Do not install in the following types of location.
 - Outdoors
 - Where the temperature could be lower than 0°C or higher than 40°C.
 - Where the humidity could be lower than 5%RH or higher than 95%RH.
 - Where there is a lot of dust or condensation.
 - Where salt damage could occur.
 - Vehicles (incl. ships, trains, airplanes)
 - Where there are corrosive, neutral, or reductive gases are present.
 - Where there are food, tableware, etc nearby because water may splash.
 - Where the appliance may come into direct contact with water.
 - Where the appliance is direct sunlight or strong light. (May cause the sensors to malfunction)
 - Rooms that have a sterilization basin, swimming pools, bathrooms.



RECOMMENDATIONS

	HAND POSITION	BRACKET HEIGHT
MEN	810	925
WOMEN	790	905
DISABLED	740 to 800	865 to 915

* FOLLOW LOCAL GUIDELINES

APPROVED	DRAWN
M. Fukano	K. Sawabe



SCALE : NTS	PRODUCT : MITSUBISHI HAND DRYER
UNIT : mm	MODEL : JT-SB216KSN2-W-NE
DATE : AUG. 24. 2015	DWG. No. : NL115003