

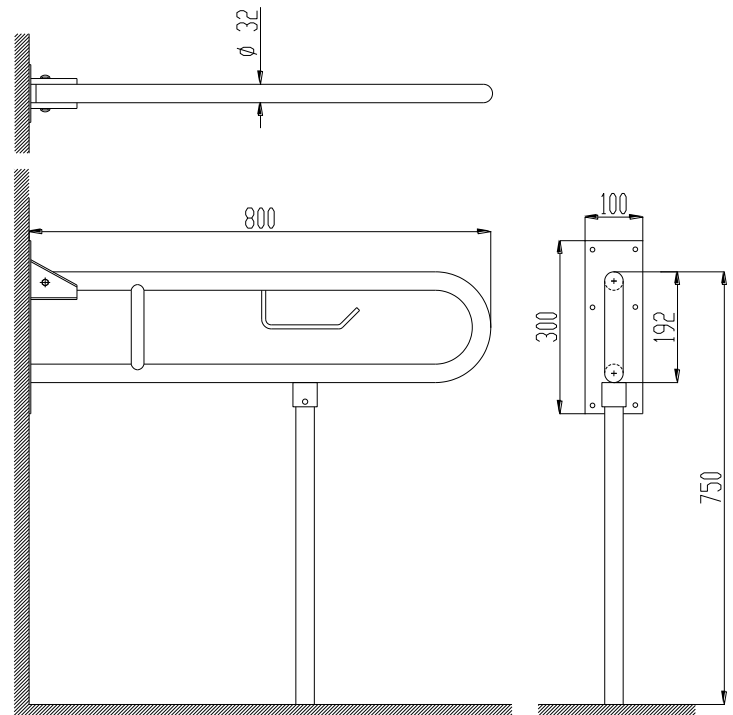
Swing-up grab rail

- Folding grab rail to fix to wall, vertical swing.
- Equipped with a support leg to ground.
- Support suitable for bathrooms, wc-bidet, showers and baths.
- Designed for adapted toilets for disabled.
- Available finishes: satin (in the picture) and polished.

TECHNICAL DATA

- Made of AISI 304 stainless steel.
- Dimensions: 800 mm long, 750 mm high.
- Bars: Ø 32.
- Fixing materials included.
- Maintenance: Stainless steel needs maintenance because dust can eventually damage the chrome in stainless steel.

TECHNICAL DRAWING



Dimensions in mm

SUGGESTED TEXT FOR PRESCRIPTION

Drop-down grab rail with supporting leg. Made of AISI 304 stainless steel. 800 mm long, 750 mm high. Bars: Ø 32.