

Dryflow EcoForce

Recommended traffic:

<100 uses a day

riba
product
selector

n55Plus

Attractive, quiet and energy efficient

- A superbly crafted, solid Die-cast aluminium chrome plated or white epoxy cover
- A low cost, energy efficient hand dryer packed with great features. The heater element can be switched off via an internal switch allowing running costs to be lowered further, running at just 500W rated power.
- A superb drying performance means that washroom traffic flows quickly and users come away with dry hands, minimising dissatisfied users.
- One of the quietest (Quiet Mark approved), yet good performing hand dryers available. Benefits include limited noise transfer into work areas and conference rooms.
- It takes up limited wall space so you can fit it in the smallest of washrooms.
- The unit has a built-in ioniser to freshen the air quality and an optional scented block that diffuses into the washroom, precisely when its needed. Put to good use in office toilets that are prone to unpleasant smells.
- Security screws on the underside and a concealed fixing at the top of the dryer prevent access and give the hand dryer robust properties.

Approx. cost per 1000 dries:

 33p – 83p

Guarantee period:

 2 Years



Dryflow EcoForce

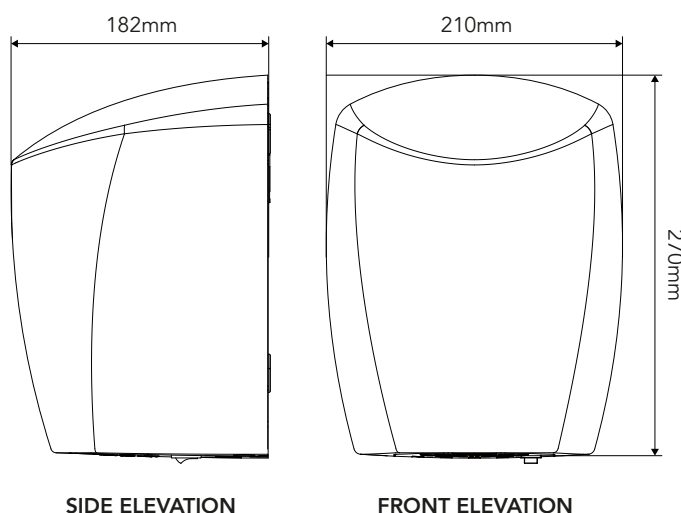
Electrical Supply Voltage	230-240 V
Electrical Supply Frequency	50/60 Hz
Expected Motor Life	550 Hours
Dry Time Range	20 – 25 Seconds
Rated Power	0.5 – 1.25 kW
Approx. Watt-Hours per Dry	2.92 – 7.29 Wh
Heater Element Power	750 W
Operating Sound Level	72dB at 1M
Motor Speed	25000 RPM
Air Speed	179 MPH
Operating Temperature Range	At ambient temp (20°C) – 40°C
Motor Cut off Time	50 Seconds
Motor Class	Class I
Materials	Die-cast aluminium chrome plated or white epoxy
Weight	4.5 kg
Finishes Available and Codes	Polished Chrome (EF03) / White (EF03W)
IP rating	IPX1 (Protection from dripping water)
Cable Entry Point	Rear, with access available from bottom
Certifications and Awards	Quiet Mark

Online information



Installation summary

- Mounting template provided to position the drill holes correctly
- The cover of the hand dryer is removed using a supplied Allen key
 - Connect power supply from fuse spur to hand dryer terminal and connect all other electrical requirements
 - Attach base unit to wall with 4 supplied screws into the drill holes
 - Replace the cover and secure via screws using the Allen key



For more information

intelligenthanddryers.com

+44 (0) 114 354 0047

sales@ihdryers.co.uk

Intelligent Facility Solutions

Electric Works,

3 Concourse Way,

Sheffield

S1 2BJ