



INTELLIGENT FACILITY SOLUTIONS

Electric Works, 3 Concourse Way, Sheffield, S1 2BJ

United Kingdom: +44 (0) 114 354 0047

Eire: +353 190 36387

sales@ihdryers.co.uk

www.intelligenthanddryers.com

SOAP DISPENSER

Cleanflow 1200ml Vertical Dispenser for Liquid Soap and Alcohol Gel

Code: **IFS011CS**

General description

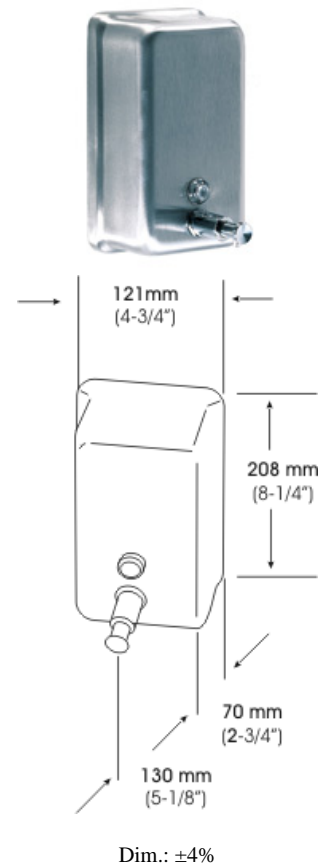
- Liquid soap dispenser, suitable for <80% alcohol gel, wall mounted.
- Push-button operated.
- Robust and vandal-resistant.
- Suitable for high traffic facilities.
- Model suitable for public use.

Components and Materials

- Stainless steel AISI 304 one-piece container, 1 mm thick, satin finish. It is mounted on the wall by concealed vandal-resistant wall plate with 3 sheet-metal screws and 5 mm wall plugs (screws and wall plugs are provided). To refill, hinged lid opens for top filling only with special key provided.
- Polyethylene inner tank.
- Chromed brass push-button.
- Chromed ABS push-in valve, with interior gaskets, to ensure tightness.
- ABS thermoplastic piston.
- Polycarbonate unbreakable refill-indicator window.
- Suitable soaps: Hand soaps, with neutral PH, not containing chlorine and <80% alcohol gel (Density: 0,9-1,35 kg/dm³, Viscosity: 500-2500 Cp.)

Technical Specifications

Dimensions - 208 x 121 x 70 mm
Capacity - 1.2 L
Quantity dispensed per pulsation - 1.1 ml
Operable force - 23.5 N
Maximum dimensions - 208x 121 x130 mm
Weight (empty dispenser) - 0.7 Kg
Recommended installation height from the self - 15-20 cm



Operation

Press push-button manually to dispense a measured amount of liquid soap. Valve is operable with one hand, without tight grasping, pinching, or twisting of the wrist.

Specifications

Wall mounted soap dispenser, robust and vandal-resistant with a body, made of stainless steel AISI 304, 1 mm thick, satin finish. It should be mounted on the wall by concealed vandal-resistant wall plate with 3 sheet-metal screws and 5 mm wall plugs The screws and wall plugs should be provided. To refill, hinged lid opens for top filling only with special key provided. The dispenser should include a chrome brass push-button, ABS thermoplastic piston and a chromed ABS push-in valve, with interior gaskets, to ensure tightness. The dispenser should be provided with a Polycarbonate unbreakable refill-indicator window. The soap dispenser should be suitable for commercially marketed all purpose liquid and lotion hand soaps and synthetic detergents except for surgical soaps. Overall dimensions shall be 208 x 121 x 130 mm.