



INTELLIGENT FACILITY SOLUTIONS

Electric Works, 3 Concourse Way, Sheffield, S1 2BJ

United Kingdom Phone UK: +44 (0) 114 354 0047

Phone Eire: +353 190 36387

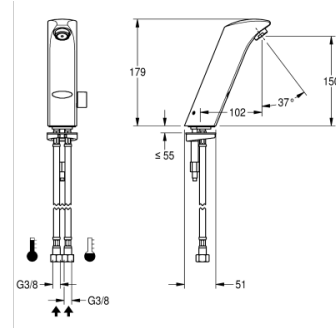
sales@ihdryers.co.uk

www.intelligenthanddryers.com

ELECTRONIC WASHBASIN MIXER: AQUA130

AQUA130 | 2000067773

PRODUCT GROUP : Taps | ARTICLE GROUP : AQUA130 | ARTICLE FAMILY : Electronic taps | MODEL RANGE : AQUA



PROTRONIC-S battery-supplied washbasin mixer with touch-free operation, DN 15 with aerator and integrated flow control, for connection to hot and cold water supply, polished chromium-plated brass. With temperature selection lever and conversion set for concealed mixing device, 6 V battery.

TECHNICAL DATA

calculation flow rate cold water	0.07 litre per second
calculation flow rate hot water	0.07 litre per second
default automatic hygiene flushing	not activated
default flow time	60.00 seconds
depressurised	NO
Functional principle	electronic self-closing
Gross weight	2.00 kg
Diameter nominal	DN 15
Material fitting	BRASS
minimum flow pressure	1.00 bar
Type of mixing	with mixer
Net weight	1.90 kg
power supply connection	Battery 6 V
position of power connection	from bottom
Protective system IP	IP65
protective shutdown	yes
Sound insulation	no
spout projection	102.00 mm
Surface finish fitting	CHROMISED
Surface material	chrome
thermal disinfection	no
Type of mounting	TAPHOLE
Type of operation	sensor operation
type of sensor	opto-electronic sensor
Type of tap	PILLAR-TAB
volume flow rate at 3 bar	0.10 litre per second

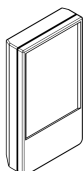
Product code	208.0000.096
Inlet size	G3-8
hygiene flushing	yes

ELECTRONIC WASHBASIN MIXER: AQUA130

AQUA130 | 2000067773

PRODUCT GROUP : **Taps** | ARTICLE GROUP : **AQUA130** | ARTICLE FAMILY : **Electronic taps** | MODEL RANGE : **AQUA**

ACCESSORY



REMOTE CONTROL UNIT

2000101087

AERATOR

2000101160

THERMOSTATIC MIXING VALVE

2030012758

SIMILAR PART



ELECTRONIC WASHBASIN MIXER: AQUA134

2000102693
