

Dryflow EcoSlim

riba
product
selector

Recommended traffic:

<300 uses a day

Super low energy, slim and quiet

- A solid 1.5mm thick steel and stainless steel cover available in white, brushed satin, polished chrome or black matte finish.
- Extraordinary energy efficiency; this unit can run at just 180W using an adjustable motor speed and ability to turn the heater element off.
- One of the quietest (Quiet Mark approved) yet good performing hand dryers in its class. Benefits include limited noise transfer into noise sensitive areas such as conference rooms and general working areas. Silent-blocks dampen vibrations on the wall at the rear of product.
- It has a 100mm depth making it compliant with ADAAG accessibility requirements. It also means it will fit in the tightest of washrooms without taking up much room.
- The HEPA filter not only stops solid particles, ranging from dust mites to fungi, but also absorbs fumes and mitigates bad odours thanks to an activated carbon filter.
- For added safety the heating element will stop in case of motor failure and the fan scroll incorporates a flame retardant additive (UL 94 V0).
- An optional odour neutraliser can be purchased to add a pleasant fragrance to the washroom. Put to good use in toilets that are prone to unpleasant smells.

Approx. cost per 1000 dries:

 13p – 45p

Guarantee period:

 3 Years



Dryflow EcoSlim

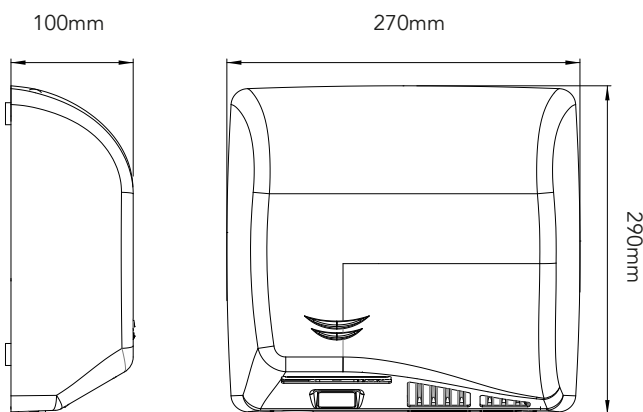
Electrical Supply Voltage	220-240 V
Electrical Supply Frequency	50/60 Hz
Expected Motor Life	2000 Hours
Dry Time Range	15 – 20 seconds (high speed) 20 – 25 seconds (low speed)
Rated Power	0.18 – 0.85 kW
Approx. Watt-Hours per Dry	1.10 – 3.78 Wh
Heater Element Power	500 W
Operating Sound Level	57 – 65dB at 2M
Motor Speed	23000 – 32000 RPM
Air Speed	180 – 249 MPH
Operating Temperature Range	At ambient temp (25°C) – 42°C
Motor Cut off Time	30 Seconds
Motor Class	Class I
Materials	Steel and Stainless Steel
Weight	3.2 kg
Finishes Available and Codes	White (DFES01W) Brushed Satin (DFES02BS) Polished Chrome (on request) Black Matte (on request)
IP rating	IP23 (Protection from a large part of the body such as the hand, from solid objects greater than 50mm in diameter; Protection from sprayed water)
Cable Entry Point	Rear, with access available from bottom

Online information



Installation summary

- Mounting template provided to position the drill holes correctly
- Mounting template provided to position the drill holes correctly
 - The cover of the hand dryer is removed using a supplied Allen key
 - Connect power supply from fuse spur to hand dryer terminal and connect all other electrical requirements
 - Attach base unit to wall with 4 supplied screws into the drill holes
 - Replace the cover and secure via screws using the Allen key



SIDE ELEVATION

FRONT ELEVATION



For more information

intelligenthanddryers.com

+44 (0) 114 354 0047

sales@ihdryers.co.uk

Intelligent Facility Solutions

Electric Works,

3 Concourse Way,

Sheffield

S1 2BJ