

Dryflow G-Force Mk2

Recommended traffic:

<500 uses a day


riba
product
selector

nssPlus

nss
BIM

'Plug and play' hassle-free maintenance

Approx. cost per 1000 dries:

 32p – 63p

Guarantee period:

 3 Years

- Solid, 1.5mm thick brushed satin or polished chrome stainless steel and steel white epoxy covers available for this highly robust hand dryer.
- Health and safety is maximised with plastic parts made of PA6V0, which is known for its high mechanical strength and good flame resistant properties.
- The motor speed can be reduced to lower sound levels if required. The base plate includes silent-blocks to cushion mechanical vibrations.
- A real innovation in this model is a secure "plug and play" system phased installation – should a fault occur, maintenance is faster as anyone can detach the unit from the electrical supply quickly and safely, without exposure to electrical components.
- Highly adjustable, you can run this at just 420W for enhanced energy efficiency, ideal for minimising running costs.
- The heater element can be turned on or off via an internal switch, making it possible to condition the unit to user requirements or to further lower energy use and costs.
- An optional odour neutraliser can be purchased to add a pleasant fragrance to the washroom. Put to good use in office toilets that are prone to unpleasant smells.



Dryflow G-Force Mk2

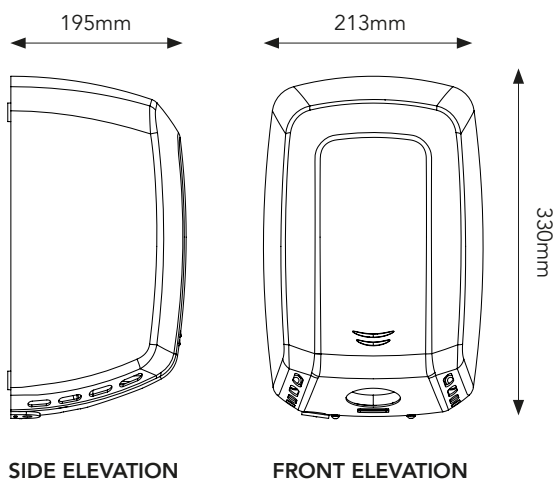
Electrical Supply Voltage	220-240 V
Electrical Supply Frequency	50/60 Hz
Expected Motor Life	3000 Hours
Dry Time Range	10 – 15 Seconds (high speed) 20 – 25 Seconds (low speed)
Rated Power	0.42 – 1.5 kW
Approx. Watt-Hours per Dry	2.68 – 5.24 Wh
Heater Element Power	400 W
Operating Sound Level	67 – 74 dB at 2M
Motor Speed	19000 – 30000 RPM
Air Speed	119 – 202 MPH
Operating Temperature Range	45°C
Motor Cut off Time	60 Seconds
Motor Class	Class I
Materials	Stainless Steel, White Epoxy cover
Weight	5.1kg
Finishes Available and Codes	White (GFM201) Brushed Satin (GFM202) Polished Chrome (GFM203)
IP rating	IP23
Cable Entry Point	Rear or Bottom

Online information



Installation summary

- Mounting template provided to position the drill holes correctly
- Connect power supply from fuse spur to the terminal of the plug-in back plate and connect all other electrical requirements
 - Screw the plug-in back plate to the wall using the 4 screws provided
 - Remove the cover of the hand dryer via 2 screws and connect the hand dryer electrical wires to the fast connector supplied and connect all other electrical requirements
 - Fix the cover back onto the hand dryer and secure using the 2 screws
 - The hand dryer is now ready for "plug and play" with the base unit slotting onto the back plate, then secured via a screw



SIDE ELEVATION

FRONT ELEVATION

For more information

intelligenthanddryers.com

+44 (0) 114 354 0047

sales@ihdryers.co.uk

Intelligent Facility Solutions

Electric Works,

3 Concourse Way,

Sheffield

S1 2BJ