



INTELLIGENT FACILITY SOLUTIONS

Electric Works, 3 Concourse Way

Sheffield, S1 2BJ, United Kingdom

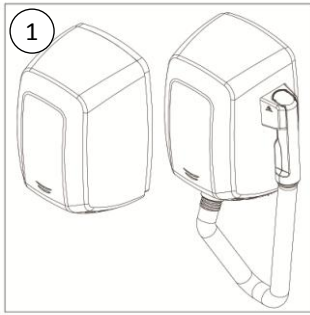
Phone UK: +44 (0) 114 354 0047

Phone Eire: +353 190 36387

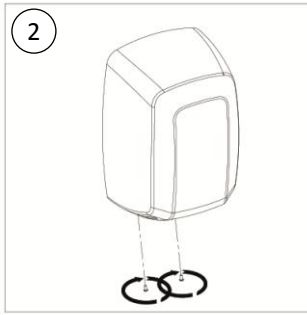
sales@ihdryers.co.uk

<https://www.intelligenthanddryers.com/>

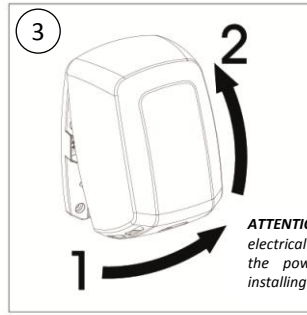
Plug-in Kit for G-Force MKII hand dryer - Installation guide



The Plug in Kit is compatible with the G-force MKII hand dryer

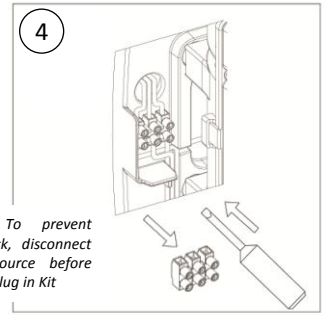


Unscrew the cover screws (x2)

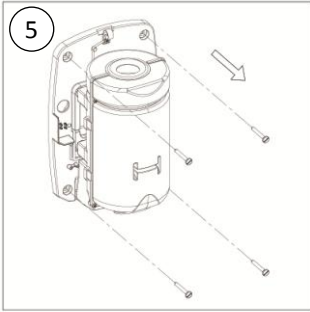


Remove the cover by a rotating movement

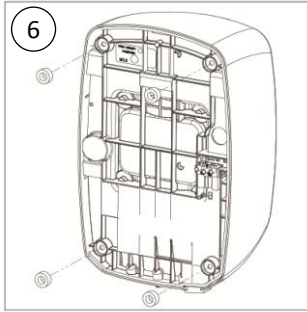
ATTENTION: To prevent electrical shock, disconnect the power source before installing the Plug in Kit



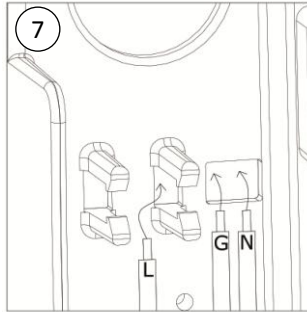
Disconnect the wires and remove the power strip



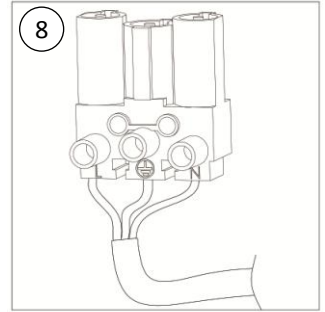
Unscrew the wall mount screws (x4)



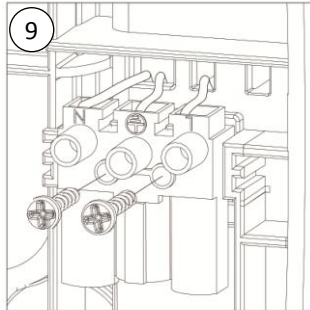
Remove the silent blocks from the back of the unit (x4)



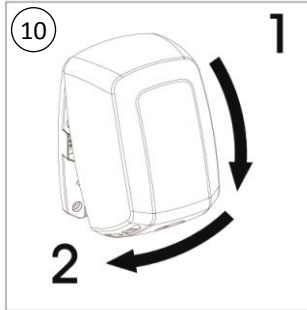
Route the wires through the holes to the back of the unit as shown on the picture



At the back of the unit, connect the wires to the fast connector following the engraved letters (N, L and Earth)



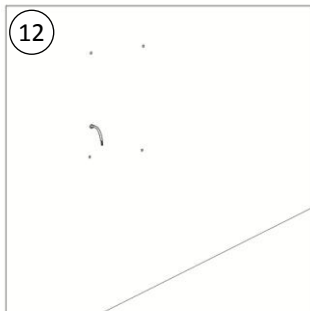
Fix the fast connector to the back of the unit using 2 screws



Close the dryer cover



Screw the cover fixing screws (x2)
Your dryer is now ready to be used on a Plug-in base



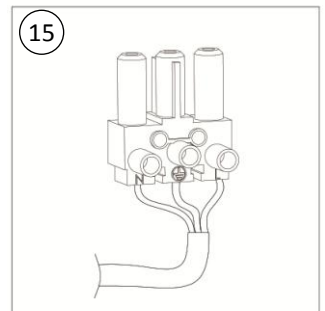
Same wall holes may be used for the Plug-in installation



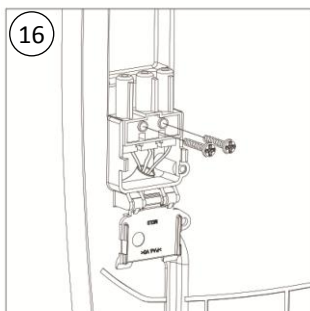
Route the wires through the Plug-in base as shown on the picture



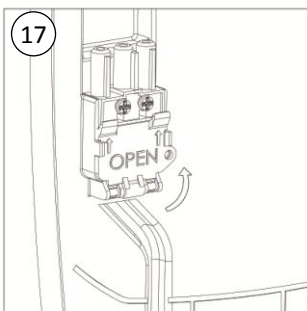
Screw the Plug-in base to the wall(x4)



Connect the wires to the fast connector following the engraved letters (N, L and Earth)

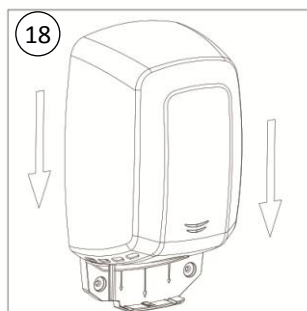


Fix the fast connector to the Plug-in base using 2 screws

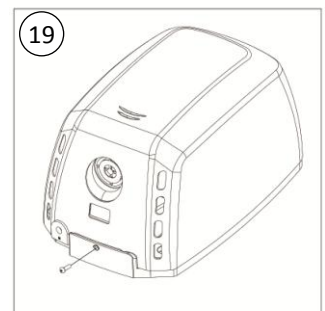


Close the security cover

Your Plug-in base is now ready to be used with a Plug-in dryer



Mount the dryer over the Plug-in base with a from top to down movement



Screw the safety screw

Your dryer is ready to be used