

Dryflow Turboforce Junior PLUS

riba
product
selector

n55Plus

Recommended traffic:

<100 uses a day

High speed, compact and very reliable

Approx. cost per 1000 dries:

 30p – 69p

Guarantee period:

 3 Years

- Solid stainless steel brushed satin or polished chrome and white ceramic options available.
- A low cost yet high-speed hand dryer, ideal for keeping washroom traffic moving and does the job of drying the hands well, no one will complain.
- A small wall footprint means it fits nicely into tight washrooms.
- It can cope with unforgiving environments as it is very robust.
- For a high-speed hand dryer, it emits a relatively low noise level. Benefits include limited noise transfer into work areas and conference rooms.
- An intelligent heating system is a real bonus as it makes sure running costs and energy use are kept low with the unit working most of the time at just 500W.
- An internal UV light cleans the inside of the unit and it has 2 particle catching filters, decreasing the growth of mould and protecting against airborne bacteria. Great features for an office environment.



Dryflow Turboforce Junior PLUS

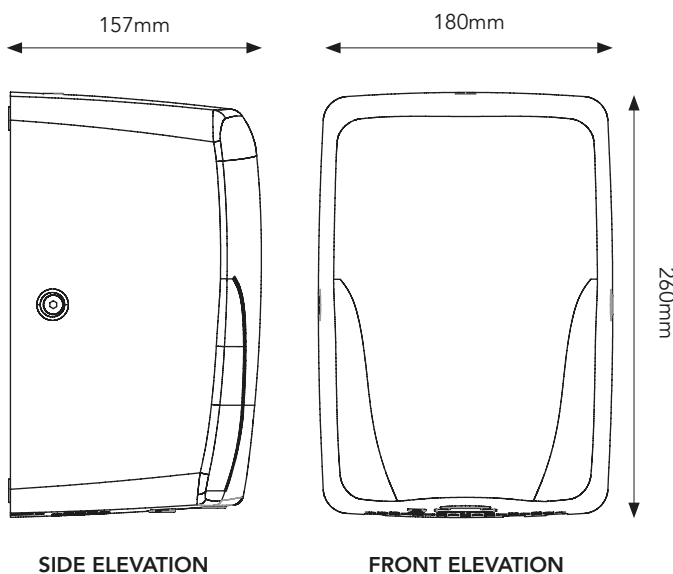
| | |
|------------------------------|---|
| Electrical Supply Voltage | 230-240 V |
| Electrical Supply Frequency | 50/60 Hz |
| Expected Motor Life | 600 Hours |
| Dry Time Range | 15 – 20 Seconds |
| Rated Power | 0.5 – 1.15 kW |
| Approx. Watt-Hours per Dry | 2.5 – 5.75 Wh |
| Heater Element Power | 650 W |
| Operating Sound Level | 72 dB at 1M |
| Motor Speed | 20000 RPM |
| Air Speed | 134 MPH |
| Operating Temperature Range | 24 – 40°C |
| Motor Cut off Time | 60 Seconds |
| Motor Class | Class I |
| Materials | Stainless steel or ceramic cover |
| Weight | 3 kg |
| Finishes Available and Codes | White (TFJ01) Polished Chrome (TFJ02) Brushed Satin (TFJ03) |
| IP rating | IPX1 (Protection from dripping water) |
| Cable Entry Point | Bottom |

Online information



Installation summary

- The cover of the hand dryer is removed using a supplied Allen key
- Attach base unit to wall with 4 supplied screws into the drill holes
- Connect power supply from fuse spur to hand dryer terminal and connect all other electrical requirements
- Replace the cover and secure via screws using the Allen key



For more information

intelligenthanddryers.com

+44 (0) 114 354 0047

sales@ihdryers.co.uk

Intelligent Facility Solutions

Electric Works,

3 Concourse Way,

Sheffield

S1 2BJ