

## Prestige IFS822D Sensor Tap

IFS822D sensor tap has been specifically designed to be installed at a preset temperature. Ideal for public and commercial washrooms.

### Features

**Control:**

Designed with SCM. Stops water automatically when water flow exceeds 1 minute.

**Adjustable distance:**

Easily adjustable sensor range.

**Strainer device:**

Strainer can be removed and cleaned to prevent blocking

**Anti-blocking needle:**

The solenoid valve is protected by an anti-blocking needle inside

### Technical Specifications

**Operating Pressure:** 1.0 - 8.0 bar (14.5 - 116 PS)

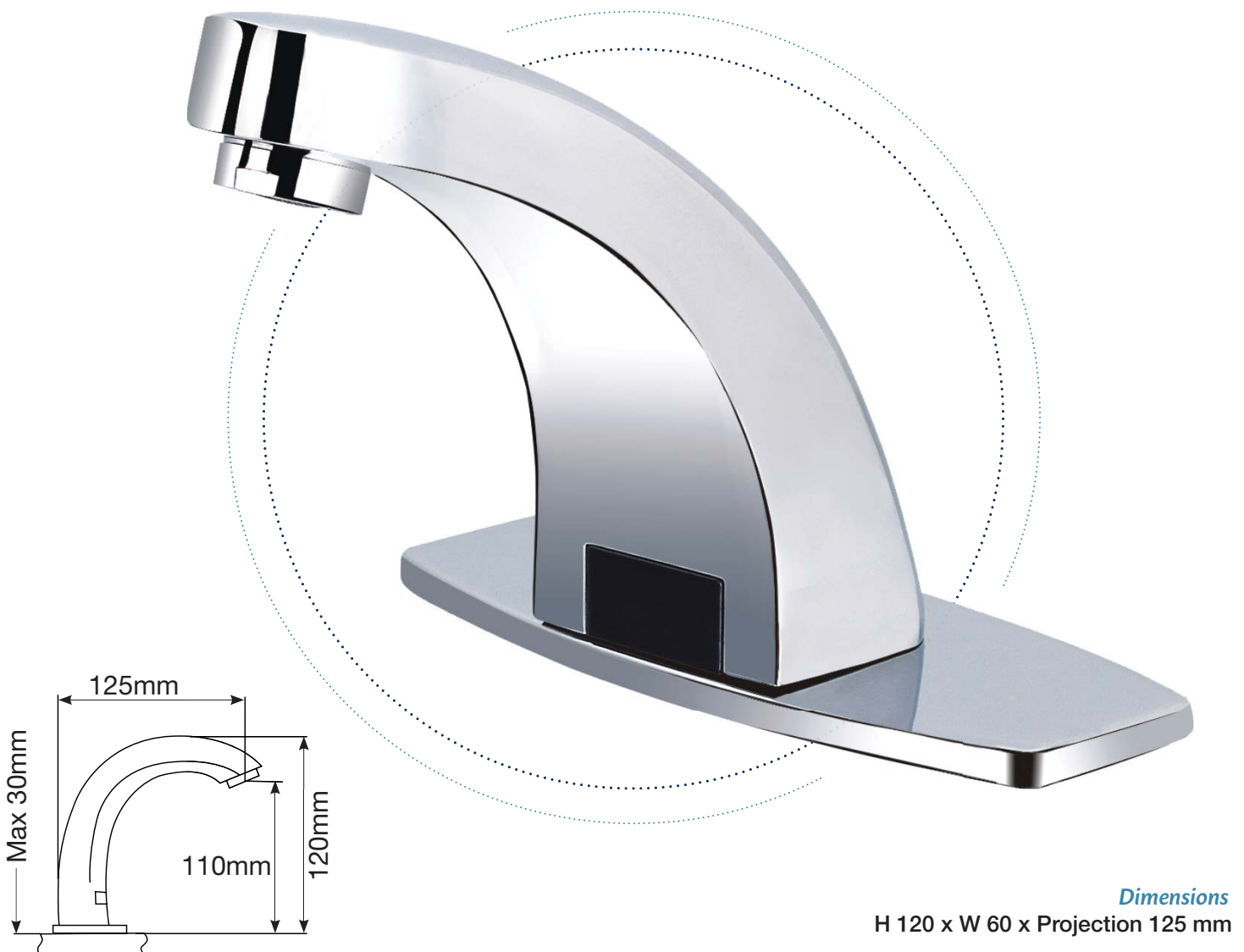
**Maximum Water Temperature:** 70°C

**Water Supply:** 3/8" BSP

**Capacity:** 6 volts

**Power Supply:** 4 x AA Batteries (default) or 240V mains transformer 6V DC

## 822D



### *Dimensions*

H 120 x W 60 x Projection 125 mm