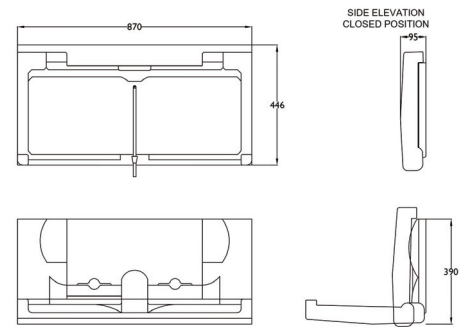


Intelligent

**The trusted independent experts for hand dryers
and washrooms since 2012.**





BC100EH

DOLPHIN HORIZONTAL NAPPY CHANGING UNIT

- › Designed for infants only. Age up to 3.5 years and weight less than 22.7kg (50lb)
- › Easy to clean, high density polyethylene which inhibits bacterial growth
- › Safety belt with cam buckle is adjustable with one hand
- › Pneumatic gas shock mechanism to ensure smooth and safe opening and closing
- › Includes safety labels, easy to install, step-by-step instructions plus all mounting hardware for timber stud wall construction
- › The most preferred changing position
- › Clean design fits virtually all decors and is excellent for cost conscious customers
- › Includes a integrated liner dispenser, mounting hardware for timber stud wall construction, safety straps and buckle
- › EZ Mount™ Backer plate is an optional extra for this unit
- › The unit meets all of the standards of EN 12221:2008+A1:2013 (minus clause 4.1)
- › 5 year Warranty: This product is warranted against manufacturing defects for a period of 5 years.

HEIGHT	390 MM
WIDTH	870 MM
PROJECTION CLOSED	95 MM
PROJECTION OPEN	446 MM

PRODUCT CODES

- › EZ Backing plate

BC100-BPEH