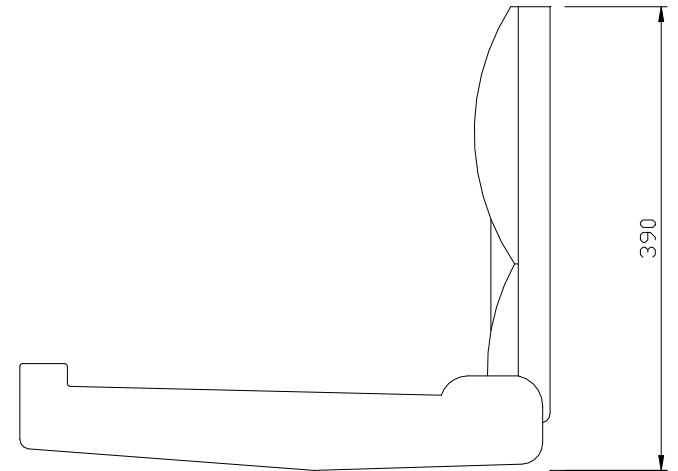
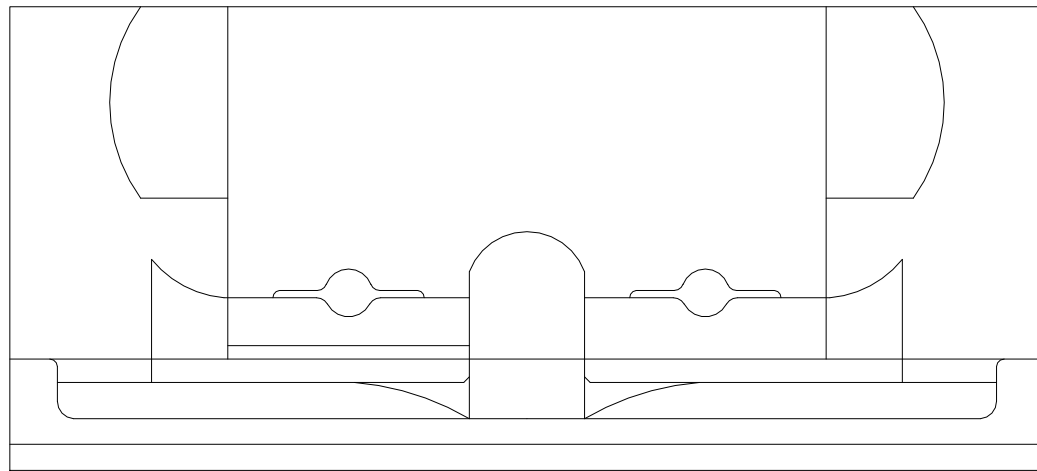
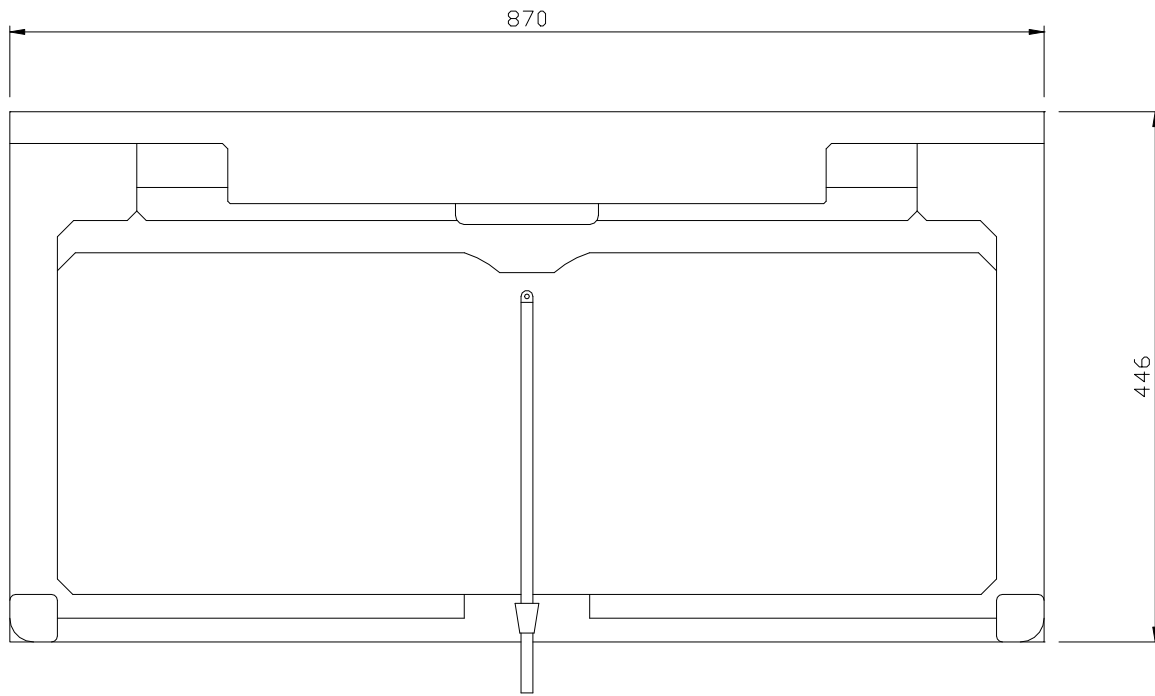


Intelligent

**The trusted independent experts for hand dryers
and washrooms since 2012.**





BELL-CHEM PRODUCTS COMPANY
DOLPHIN HORIZONTAL NAPPY CHANGING UNIT
BC 100-EH