

# INSTALLATION INSTRUCTIONS

## BOBRICK MODEL B-4998 AND B-4998.99 WALL MOUNTED SWING-UP GRAB BARS

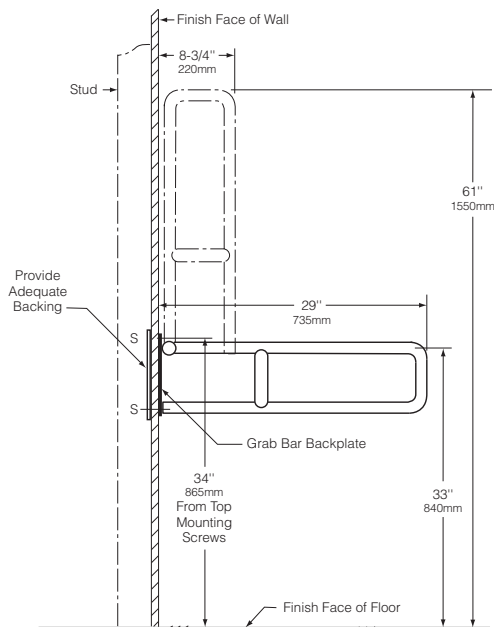


Figure 1

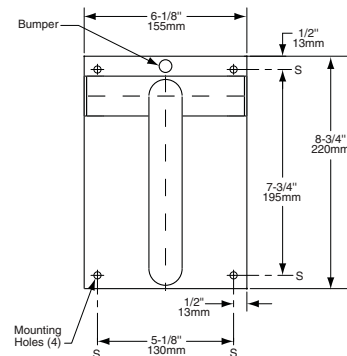


Figure 2

### Important Notes: Mounting Height and Wall Preparation

The mounting height shown in these instructions is based on American National Standard Institute Specification (ANSI A117.1-1980) and is provided only as a guide. Check local building codes for grab bar mounting height to make sure installation complies with local code requirement.

Grab Bars are no stronger than the anchors or walls to which they are attached. They must be securely mounted to sustain a load of 250 lbs at any point. Studs are to be reinforced and adequate backing must be mounted to the studs before the finished wall surface is applied to provide secure attachment of the grab bar to the wall. The installation must comply with local building code requirements.

### ALTERNATE METHODS OF INSTALLATION

#### Installation with Bobrick Mounting Kit Available as an Accessory

1. Reinforce wall studs prior to attachment of Bobrick anchor plate.
2. Fasten steel anchor plate to studs making sure it is plumb and square. Mount top of anchor plate 35" (889mm) above finished floor. This will locate the centerline of the top bar in the horizontal position at 33" (838mm) above finished floor.
3. Mounting screws should be temporarily screwed into anchor plate at points marked by an S before application of finished wall surface, so that the location of the mounting screw holes can be found for mounting the grab bar to the wall.
4. Apply finished wall surface to wall.
5. Remove mounting screws from wall. Mount grab bar, making sure screws are tight.
6. Test grab bar making certain it remains in both the vertical storage position and the horizontal use position.

#### Installation with Backing Furnished by Installer

1. Make certain backing meets local codes.
2. Reinforce wall studs prior to attachment of adequate backing.
3. Install adequate backing in wall at locations indicated in Figure 1. Allow for either #14 size screws, or in the case of steel backing 1/4-20 stainless steel screws of adequate length (neither are furnished by Bobrick). The steel backing must have a minimum thickness of 3/16" (5mm) and screw holes be drilled and tapped.
4. Use grab bar back plate as a template to mark mounting screw hole locations.
5. After mounting grab bar make certain it remains in both the vertical storage position and the horizontal use position.

#### Installation to Solid Masonry Walls

1. Use inserts (lead shields or equivalent) for #14 screws (not furnished by Bobrick ) and mount at height indicated in Figure 1 or per local code, using grab bar back plate as template to mark mounting screw hole location.
2. After mounting grab bar, make certain it remains in both vertical storage position and the horizontal use position.



In the U.S.A.: BOBRICK WASHROOM EQUIPMENT, INC.

200 Commerce Drive, Clifton Park, New York 12065-1350 • Tel: (518) 877-7444 • FAX: 518-877-5029  
11611 Hart Street, North Hollywood, California 91605-5882 • Tel: (818) 982-9600 • FAX: 818-503-1102

In Canada: BOBRICK WASHROOM EQUIPMENT COMPANY

45 Rolark Drive, Scarborough, Ontario M1R 3B1 • Ontario East Tel: (877) 423-6555, FAX: (877) 423-8555  
• Manitoba West Tel: (877) 423-6444, FAX: (877) 423-8444