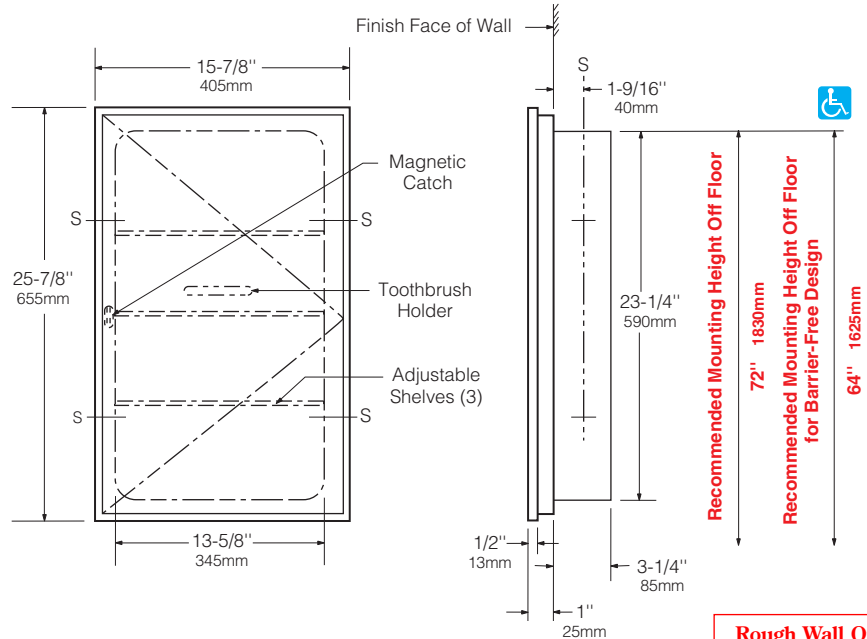




Technical Data

RECESSED MEDICINE CABINET

B-397



Rough Wall Opening
 14" (355mm) wide
 23-5/8" (600mm) high
 3-1/2" (89mm) minimum
 recessed depth

MATERIALS:

Cabinet — Heavy-gauge steel with white powder-coated finish. All-welded construction.

Door — Heavy-gauge steel with stainless steel channel frame. Secured to cabinet with an enameled steel piano-hinge and equipped with a magnetic catch. Furnished with toothbrush holder that mounts on back of door.

Mirror — No. 1 quality, 1/4" (6mm) select float glass, electrolytically copper-plated.

Adjustable Shelves (3) — Clear plastic extrusion. Attach to cabinet by sliding into slots in sides of cabinet.

OPERATION:

Door is retained by means of a magnetic catch. Shelves can be adjusted by locating in different slots formed on sides of cabinet. Toothbrush holder mounts on back of door and accommodates four toothbrushes.

INSTALLATION:

Cabinet may be inverted for right- or left-hand door swing. Provide framed rough wall opening 14" wide x 23-5/8" high (355 x 600mm). Minimum recessed depth required from finish face of wall is 3-1/2" (89mm). Allow clearance for construction features that may protrude into rough wall opening from opposite wall. Coordinate with mechanical engineer to avoid pipes, vents, and conduits. If unit projects above top of wainscot, provide aluminum channel or other filler to eliminate gap between flange and finish face of wall. If units are installed back-to-back, a sound barrier is recommended between units. Mount cabinet in rough wall opening with shims between framing and cabinet at all points indicated by an S, then secure unit with sheet-metal screws furnished by manufacturer.

SPECIFICATION:

Recessed medicine cabinet shall be heavy-gauge steel with all-welded construction. Cabinet shall have white powder-coated finish. Door shall have stainless steel channel frame, be secured to cabinet with an enameled steel piano-hinge, and equipped with a magnetic catch. Mirror shall be No. 1 quality, 1/4" (6mm) select float glass, electrolytically copper-plated. Cabinet shall have three adjustable clear plastic shelves. Toothbrush holder shall mount on back of door and accommodate four toothbrushes. Unit shall be invertible for right- or left-hand door swing. Manufacturer's service and parts manual shall be provided to the building owner/manager upon request.

Recessed Medicine Cabinet shall be Model B-397 of Bobrick Washroom Equipment, Inc., Clifton Park, New York; Jackson, Tennessee; Los Angeles, California; Bobrick Washroom Equipment Company, Scarborough, Ontario; Bobrick Washroom Equipment Pty. Ltd., Australia; and Bobrick Washroom Equipment Limited, United Kingdom.