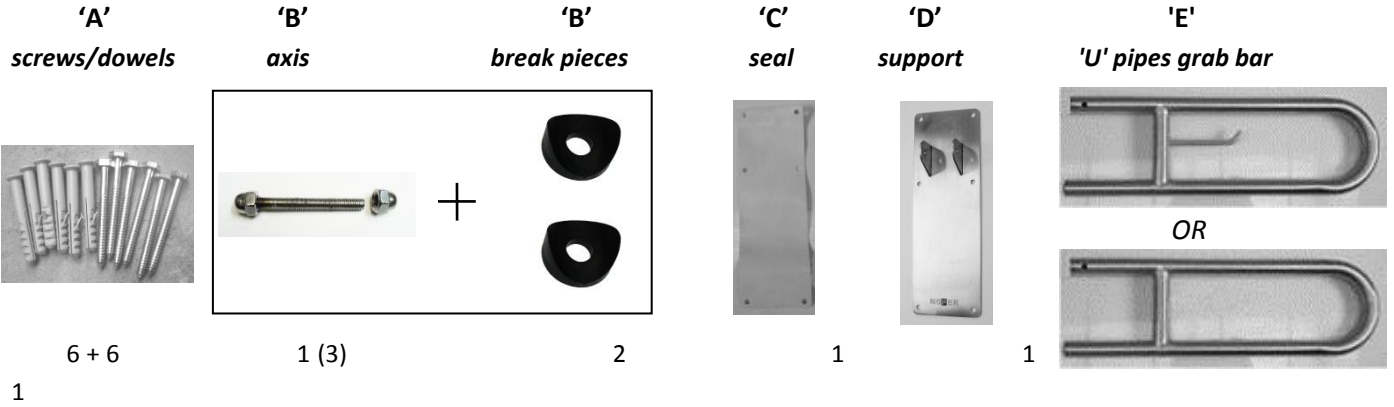
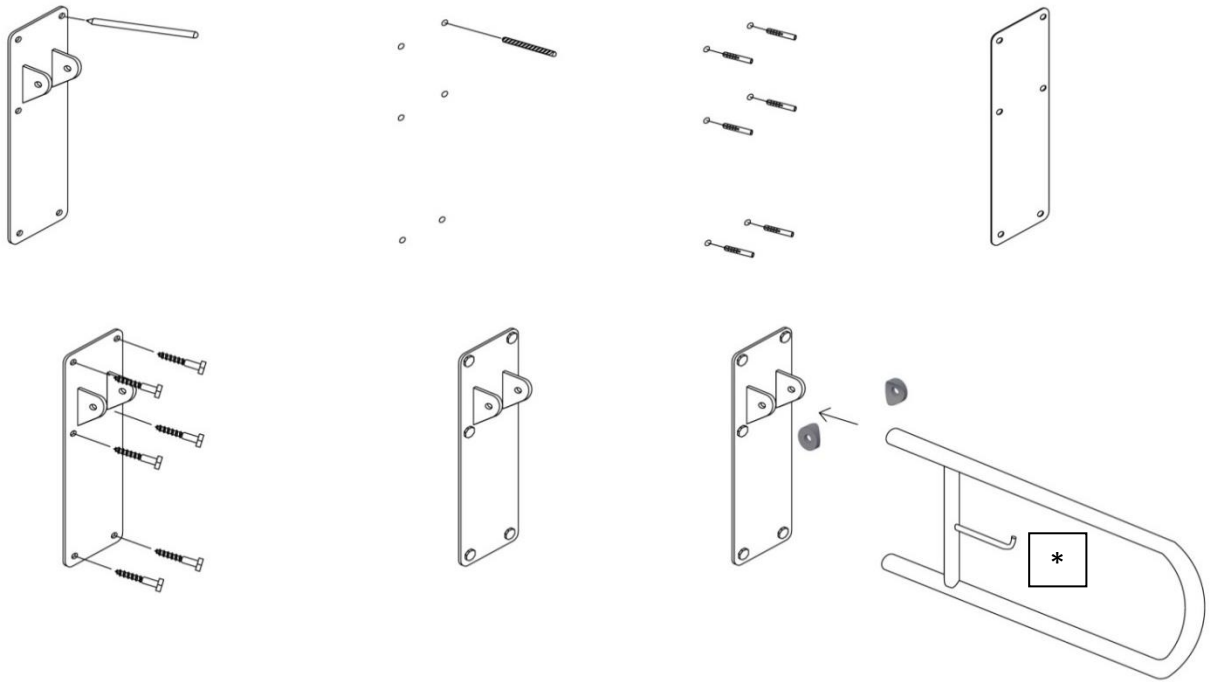


CONTENT INSIDE THE BOX



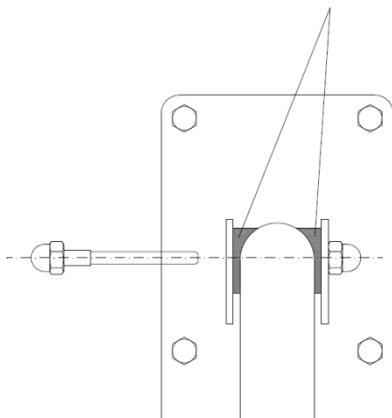
1

ASSEMBLY



*TOILET PAPER HOLDER ONLY IN SOME MODELS

BREAK PIECES



- Tight the screws till the moment the grab bar goes up and down without difficulties. The grab bar must keep the chosen position.
- Break plastic pieces must be placed between support and grab bar axis.

CLEANING AND MAINTENANCE TIPS

All kinds of stainless steel can develop spots or discolored when contact with certain substances or unsuitable cleaning products are used during cleaning process.

The surface of the apparatus must be kept **always clean** in order to allow stainless steel to have a high resistance to corrosion. Keep dust away.

Products based on **strong acid solutions** used to clean bricks and tiles should **never come into contact with stainless steel**.

Bleaches and other cleaning products based in **hypochlorite** should **not** be used for cleaning stainless steel. Other products must not come into contact with stainless steel are certain cleaning products for bathrooms, developing solutions, acids, concentrated disinfectants, chlorine and strong alkalis, such as caustic soda. If any of these liquids come in contact with stainless steel shall be thoroughly rinse with clean water.

For everyday cleaning products and stainless steel sanitary, it is recommended:

- Wash the surface with soapy water or a mild detergent.
- Always rinse with clean water.
- Dry with a soft cloth.

There are market **specific products** for stainless steel surfaces, which can be used directly, providing a superb finish and protect the stainless steel surface.