

**Swing-up grab rail**

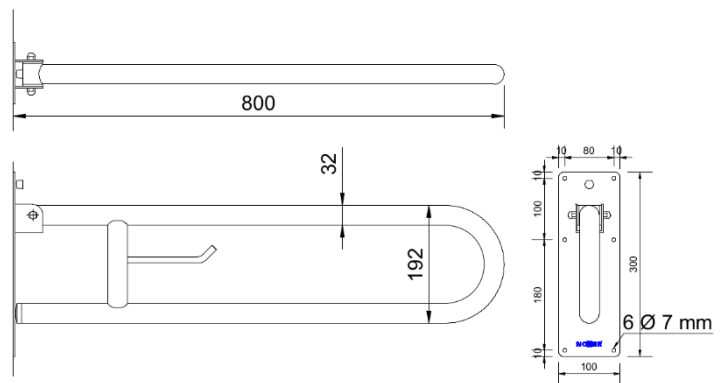
- Wall-mounted swing-up grab rail.
- Recommended for use in bathrooms, WC and showers.
- Specially designed for accessible areas.
- Finishes available: satin (in the picture) and polished.


**TECHNICAL DATA**

- Made of Stainless Steel AISI 304.
- Length: 800 mm.
- Wall fixing flange dimension: 300 x 100mm.
- Bars: Ø 32 mm.
- With toilet paper holder.
- Recommended installation height: 70-75 cm from finished floor.
- Stainless steel fixations included.
- Maintenance: Stainless steel needs maintenance because dust can eventually damage the chrome in stainless steel.

**SUGGESTED TEXT FOR PRESCRIPTION**

Swing-up grab rail in AISI 304 stainless steel satin finished. With brake and paper holder. Length: 800mm. Bars Ø 32



Dimensions in mm