

INSTALLATION INSTRUCTIONS

BOBRICK MODEL B-287 FOLDING UTILITY SHELF

Important Notes

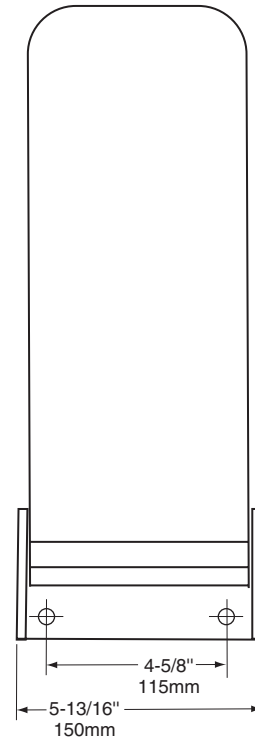
1. Before drilling, make sure that partition door and its hardware, when opened, will clear unit when the shelf is in the up position.

2. Support backing is required in hollow core toilet partition to prevent collapse. Provide backing required by local codes for all surface mounted wall installations.

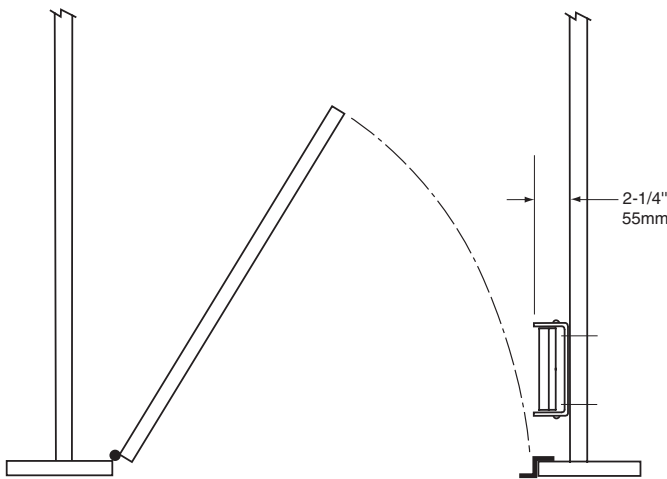
Drill two 9/32" (7mm) holes, 4-5/8" (117mm) apart (center to center) at desired height from floor. Fasten unit to wall with screws, washers, and locknuts provided.

Mounting Hardware Provided

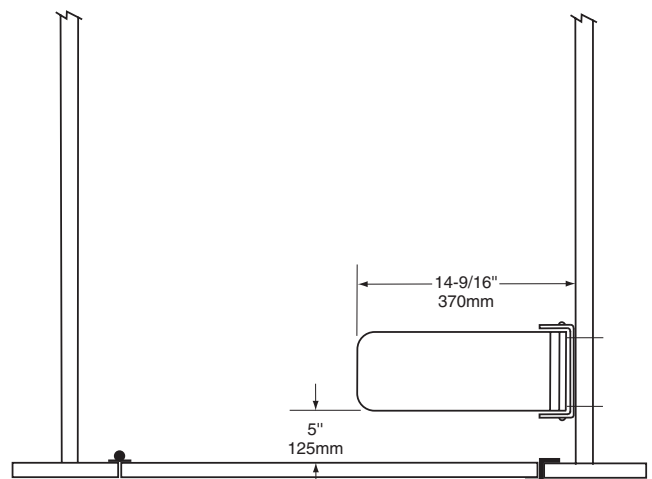
Part No.	Description
287-9	Two 1/4-20 x 1-3/4" screws
287-18	Two 1/4" Flat Washers
287-19	Two 1/4-20 Elastic locknuts
287-15	Packet number for all above items



**Front View
with Unit in Up Position**



**Toilet Partition Installation
with Unit in Up Position**



**Toilet Partition Installation
with Unit in Down Position**



In the U.S.A.: BOBRICK WASHROOM EQUIPMENT, INC.

200 Commerce Drive, Clifton Park, New York 12065-1350 • Tel: (518) 877-7444 • FAX: 518-877-5029
11611 Hart Street, North Hollywood, California 91605-5882 • Tel: (818) 982-9600 • FAX: 818-503-1102
100 Bobrick Drive, Jackson, Tennessee 38301-5625 • Tel: (731) 424-7000 • FAX: 731-424-7800

In Canada: BOBRICK WASHROOM EQUIPMENT COMPANY

45 Rolark Drive, Scarborough, Ontario M1R 3B1 • Tel: (416) 298-1611 • FAX: 416-298-6351