



INTELLIGENT FACILITY SOLUTIONS

Electric Works, 3 Concourse Way, Sheffield, S1 2BJ

United Kingdom Phone UK: +44 (0) 114 354 0047

Phone Eire: +353 190 36387

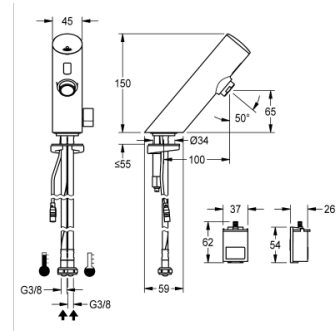
sales@ihdryers.co.uk

www.intelligenthanddryers.com

ELECTRONIC PILLAR MIXER

F3EM1001 | 2030033388

PRODUCT GROUP : Taps | ARTICLE FAMILY : Electronic taps | ARTICLE GROUP : F3EM1001 ++ | MODEL RANGE : F3



F3E-Mix pillar mixer DN 15 for sanitary facilities, opto-electronically controlled. For connection to hot and cold water via hoses with integrated backflow preventer and strainers. Control electronics, solenoid valve cartridge and sensor in all-metal housing, high-polished chromium-plated brass, with temperature lever and adjustable, turn-proof temperature stop. Aerator with integrated flow regulator 6.0 l/min. Activated water hygiene flushing 24 hours after last activation, safety switch-off with continuous reflection and saving of statistical data. With option for parameterization and communication via optional, bidirectional remote control. With battery compartment including 6 V lithium battery (CR-P2) for installation under the washbasin.

TECHNICAL DATA

Gross weight	1.47 kg
Net weight	1.40 kg
Functional principle	electronic self-closing
Type of mixing	with mixer
power supply connection	Battery 6 V
Type of mounting	TAPHOLE
Type of tap	PILLAR-TAB
calculation flow rate cold water	0.07 litre per second
calculation flow rate hot water	0.07 litre per second
default automatic hygiene flushing	24h after the last activity
depressurised	NO
Diameter nominal	DN 15
Material fitting	BRASS
minimum flow pressure	1.00 bar
position of power connection	from bottom
power consumption	1.5
Protective system IP	IP59K
protective shutdown	yes
Sound insulation	no
spout projection	100.00 mm
Surface finish fitting	CHROMISED
thermal disinfection	no
Type of operation	sensor operation
type of sensor	opto-electronic sensor
volume flow rate at 3 bar	0.10 litre per second

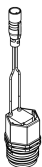
Inlet size	G3-8
hygiene flushing	yes
Product code	208.0519.529

ELECTRONIC PILLAR MIXER

F3EM1001 | 2030033388

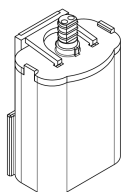
PRODUCT GROUP : **Taps** | ARTICLE FAMILY : **Electronic taps** | ARTICLE GROUP : **F3EM1001 ++** | MODEL RANGE : **F3**

SPARE PART



**SOLENOID VALVE
CARTRIDGE**

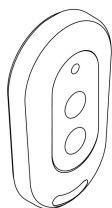
2030003033



**BATTERY
COMPARTMENT**

2000109466

ACCESSORY



AERATOR

2000101160

REMOTE CONTROL

2030036849

**THERMOSTATIC MIXING
VALVE**

2030012758
