



INTELLIGENT FACILITY SOLUTIONS

7 Riverside Court, Don Road, Sheffield, S9 2TF

UK: +44 (0) 114 354 0047

Eire: +353 190 36387

sales@ihdryers.co.uk

www.intelligenthanddryers.com

Surface mounted, three standard rolls steel white epoxy

Código: PR0781

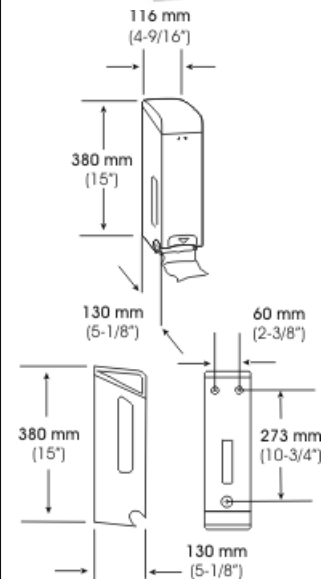
General description

- Toilet paper dispenser for three standard rolls, surface mounted, steel white epoxy coated.
- Manual dispensing.
- Suitable for high traffic facilities.
- Model suitable for public use.
- It generally goes along with a toilet brush holder and toilet paper waste receptacle, steel white epoxy



Components and Materials

- Steel white epoxy coated one-piece body, 0,8 mm thick, fully sealed. The supports of the screws in the back of the appliance, are acting as an anti-moisture support, as well as slots to avoid the screws damaging the toilet paper. It is mounted on the wall by means of 3 wood screws with their corresponding 5 mm wall plugs. It includes a lock system with standard mediclinics ® key, that allows opening the lid for replenishment.
- Steel white epoxy coated one-piece seamless lid, 0,8 mm thick, fully sealed. Fixed to the body by means of 2 rivets that allows swinging of the lid for the replenishment through the top opening. The extra tissue rolls descend when the previous one has been finished, by a simple hand manipulation through the side window. There is no need to open the lid for the removal of consumed rolls.
- Frontal sight-hole and slots on each side of body indicate refill time.



Technical Specifications

| |
|--|
| Dimensions - 380x 116x 130 mm |
| Weight (empty dispenser) - 1,3 Kg |
| Toilet paper roll diameter - Ø 105-125 mm (maximum) |
| Size toilet paper roll - 110 mm (maximum) |
| Recommended installation height to the bottom - 65-75 cm |

Dim.: ±4%

Operation

Certificates & Qualifications

ISO 9001:2008.

Mediclinics, S.A., reserves the right to make changes and/or modifications to the products and their specifications without prior notice.

mediclinics S.A

