



INTELLIGENT FACILITY SOLUTIONS

Electric Works, 3 Concourse Way, Sheffield, S1 2BJ

United Kingdom: +44 (0) 114 354 0047

Eire: +353 190 36387

sales@ihdryers.co.uk

www.intelligenthanddryers.com

Alcohol LIQUID SPRAY Hand Sanitizer Dispenser

SURFACE	Automatic
----------------	------------------



IFSDJS0039A
White epoxy finish



IFSDJS0039AB
Matte black epoxy finish



IFSDJS0039AC
Polished Chrome finish



IFSDJS0039ACS
Brushed Satin finish

General Description

- Automatic wall-mounted liquid spray dispenser of 1 L capacity, manufactured in stainless steel AISI 304, 0.8 mm thick.
- Available in four finishes (white, black, bright and satin) these dispenser models have a functional, robust and trendy design that matches the new range of bathroom accessories. This allows the dispenser to blend into any space perfectly.
- Suitable for high traffic facilities and for public use.
- Level display located in the front part of the dispenser. It constantly indicates the level of liquid available inside the dispenser.
- Operates on 6 AA alkaline batteries (not provided) or **optionally**, with an AC adaptor.

- It is recommended to use liquid spray with the following characteristics:
 - Maximum alcohol content of 85%
 - Density < 0.8 kg/dm
 - Use specific spray products.

It does not support soaps that contain chlorine or solid or abrasive particles.
- Screws and plastic plugs to mount on a brick wall supplied.

Components & materials

- **IFSDJS0039A:** Stainless steel AISI 304, white epoxy finish.
- **IFSDJS0039AB:** Stainless steel AISI 304, black matte epoxy finish.
- **IFSDJS0039AC:** Stainless steel AISI 304, bright finish.
- **IFSDJS0039ACS:** Stainless steel AISI 304, satin finish.
- **COVER:** made of stainless steel AISI 304, 0.8 mm thick.

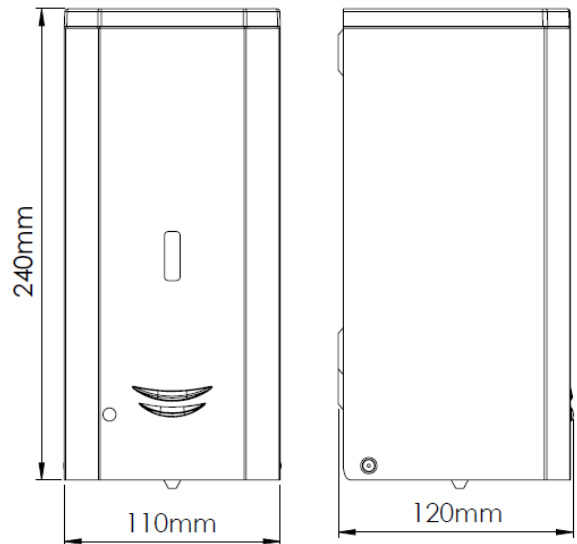
- **WALL PLATE:** made of stainless steel AISI 304, 0.8 mm thick. It is mounted on the wall by means of four Ø4 stainless steel screws (provided) with their corresponding Ø 6mm plastic plugs (also provided).
- **INNER PLASTIC TANK:** prevents oxidation and that can be easily removed for cleaning and disinfection purposes.
- **INFRA-RED DETECTION:** with a 5 cm hands detection range.
- **VALVE:** anti-drip corrosion resistant that dispenses 0.165 ml of liquid per service. This anti-drip valve, is easily interchangeable with the valves of the other dispensers of the same line.

- **HINGED COVER:** for operator convenience and speed of service. Opening on top with provided key that allows liquid refill.
- **POWER:** 6 AA alkaline batteries (not provided) or **optionally**, AC adaptor.

Technical specifications

Dimensions	<i>240 x 110 x 120 mm</i>
Capacity	<i>1 L</i>
Body, cover & base plate thickness	<i>0.8 mm</i>
Inner Tank Thickness	<i>2.5 mm</i>
Net weight	<i>1.25 Kg</i>
Quantity dispensed per pump	<i>0.165 ml</i>
Maximum alcohol content	<i>85%</i>

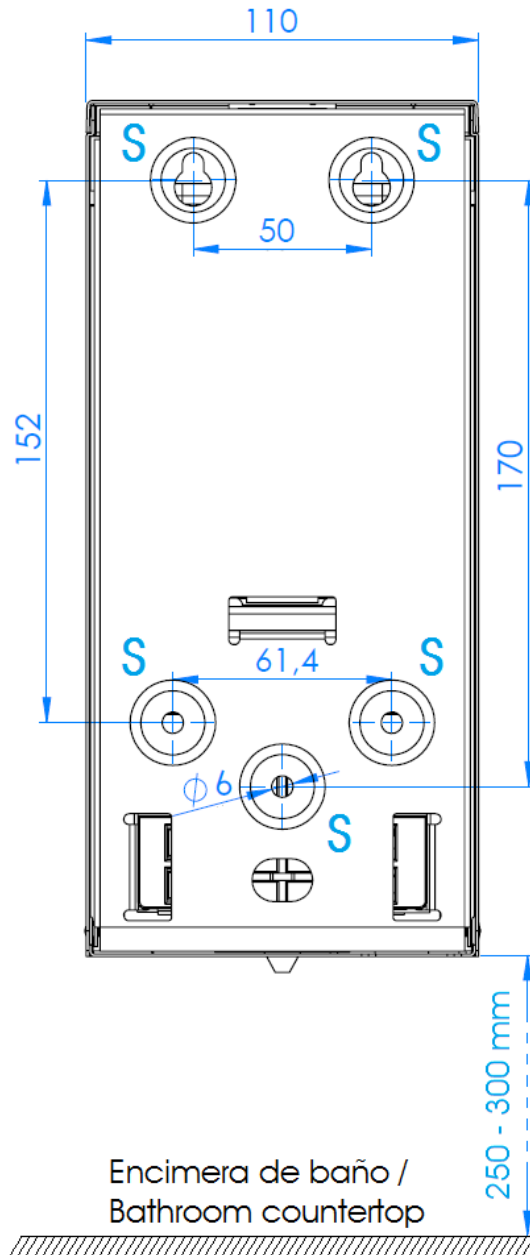
Dimensions



Dimensions: ± 4%

MOUNTING TEMPLATE

Fix the dispenser through the holes of the wall and floor plates, using the stainless steel screws supplied and taking into account the distances of the points indicated by an "S" in the next figure:



VERY IMPORTANT: do not install this soap dispenser inside the shower, as its electrical components can be seriously damaged by water and the dispenser stops working. If you choose the configuration with an electric converter, install it away from any source of water.

CERTIFICATES AND QUALIFICATIONS

