



INTELLIGENT FACILITY SOLUTIONS

Electric Works, 3 Concourse Way, Sheffield, S1 2BJ

United Kingdom: +44 (0) 114 354 0047

Eire: +353 190 36387

sales@ihdryers.co.uk

www.intelligenthanddryers.com

SOAP DISPENSERS

SURFACE

Push-button



IFSDJ0040
White epoxy finish



IFSDJ0040B
Black mate epoxy finish



IFSDJ0040C
Bright finish



IFSDJ0040
Satin finish

General Description

- Liquid soap dispenser, wall mounted made in stainless steel AISI 304.
- Push-button operated.
- Robust and vandal-resistant.
- Suitable for high traffic facilities.
- Model suitable for public use.
- Allows disinfectant solutions, liquid soaps or hydro-alcoholic gel. Surgical soaps and soaps with solid abrasive particles are not supported.

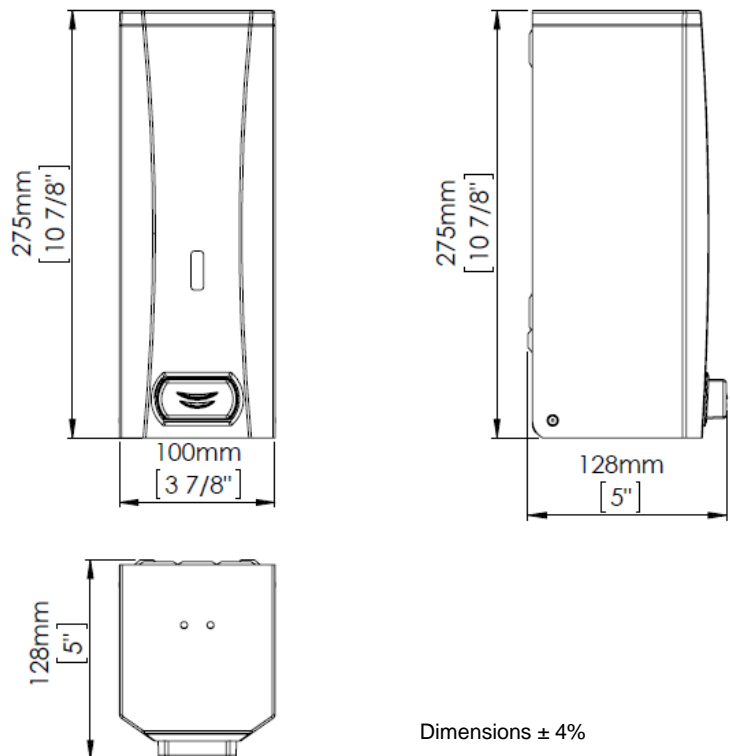
Components & materials

- **DJ0040:** Stainless steel AISI 304, white epoxy finish.
- **DJ0040C:** Stainless steel AISI 304, bright finish.
- **DJ0040CS:** Stainless steel AISI 304, satin finish.
- **DJ0040B:** Stainless steel AISI 304, black mate epoxy finish.
- Push button made in thermoplastic with stainless steel cover 0,8mm thick.
- Push button frame made in green plastic RAL 7022.
- Content viewer on the front that allows see the soap level in each moment.
- Corrosion-resistant anti-drip valve.
- In inner tank made in plastic, 2,5mm thick.
- Hinged cover for operator convenience and speed of service.
- Opening on top with provided key that allows soap refill.
- It is mounted on the wall by means of 3 stainless steel screws with their corresponding Ø 6mm well plugs (the upper ones attach the dispenser whilst the lower one fix it to the wall).Screws and plugs are provided.

Technical Specifications

| | |
|---|----------------|
| Dimensions | 275x100x128 mm |
| Capacity | 1. 500 ml |
| Body, cover & base plate thickness | 0.8 mm |
| Inner Tank Thickness | 2.5 mm |
| Net weight | 1.2 Kg |
| Quantity dispensed per pump | 0.8 ml |

Dimensions



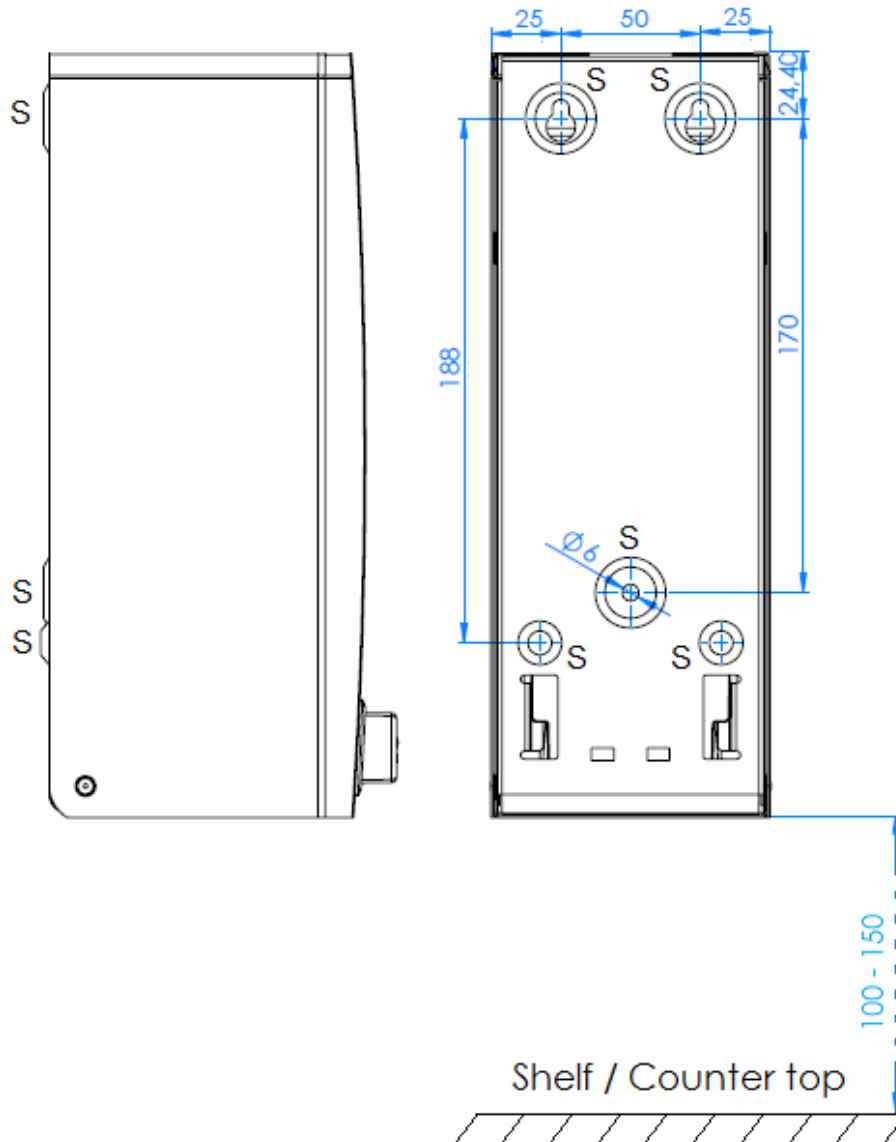
Dimensions ± 4%

OPERATION

Place one hand just under the soap dispenser valve and press the center push-button until the end of the soap dosage.

MOUNTING TEMPLATE

Fix the soap dispenser on the wall to 100-150 mm from shelf or bath counter top, using the provided screws through the back mounting plate holes (points indicated by an "S" in the figure below).



Review 05-18