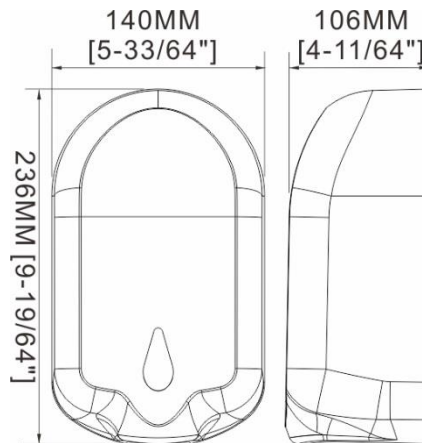


## Cleanflow Automatic Liquid Hand Sanitiser Spray 1.1L Dispenser - IFS72SPR



### Technical features

- Capacity: 1,100ml
- Dispensing per mist spray: 1ml
- Motor: DC type, 0.5W, 1,400 rpm
- Voltage: DC 6V, AA Battery
- Battery life of 70,000 cycles
- Sensor range: 3 – 10 cm
- White and grey ABS, other colours available

### Product use

- Suitable for spray liquid hand sanitiser
- Room temperature: 5-40°C
- Key lockable
- Window to check level

### Packing information

- Weight per piece: 0.7 Kg net, 0.9 Kg gross
- 12 pieces per carton