



INTELLIGENT FACILITY SOLUTIONS

Electric Works, 3 Concourse Way

Sheffield, S1 2BJ, United Kingdom

Phone UK: +44 (0) 114 354 0047

Phone Eire: +353 190 36387

[sales@ihdryers.co.uk](mailto:sales@ihdryers.co.uk)

<https://www.intelligenthanddryers.com/>

# Jetstream Slimline

1.0 kW Automatic Hand Dryer  
Energy Efficient



p. 66

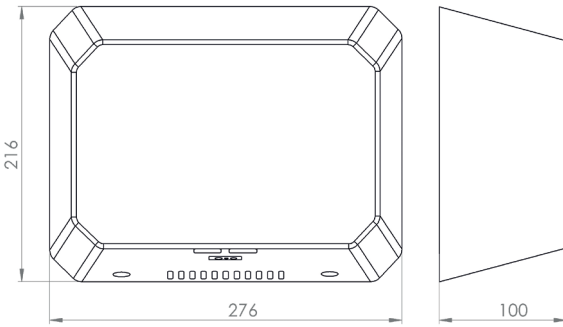
## Usage

Suitable for many public washroom applications including restaurants, shops and shopping centres, office buildings, pubs, motorway services, factories and supermarkets. The slimline profile makes this hand dryer particularly suitable for restricted space applications such as portable buildings.

## Features and Benefits

- High speed giving fast hand drying times
- Saves energy relative to traditional hand dryers from reduced drying times
- Modern compact design with slimline profile – depth only 100mm (4")
- Hygienic automatic operation reduces the risk of spreading germs
- Low 1.0 kW power rating
- Option to reduce power rating to 0.35 kW on installation to increase energy efficiency
- Durable white steel vandal resistant case

Product Code	Finish	Power (kW)	Sound Level (dB)	Dry Time (seconds)	Air Speed (m/s)
JETS10W	White	1.0	78	10 - 15	70

**Outer Casing**

White epoxy on steel

**Heating Element**

325 – 500 W (adjustable)  
and on/off function both  
set on installation

**Motor**

350 – 500 W (adjustable)  
set on installation  
Carbon brush  
Dual Ball bearings  
29,000 RPM

**Current**

4.3 amps

**Air Speed**

45 – 70 m/s (adjustable)

**Air Volume**

71 – 102 m<sup>3</sup>/h (adjustable)

**Operation**

Touch free automatic.

**Safety**

Overheat temperature protection.

Safety timer prevents continuous  
running.

**IP Rating**

IP23

**Installation**

Full fixing pack supplied.  
Cable entry bottom left  
at base of the unit.

**Electrical Connection**

Installation must comply  
with current IEE Regulations.

The product should be connected  
to the fixed wiring of the property  
via a double pole fused spur  
with a minimum break capacity  
of 13 amps.

Class I

**Approvals**

CE

**Standard Warranty**

1 year parts or  
replacement warranty.

Product Code	Height (mm)	Width (mm)	Depth (mm)	Weight (kg)
JETS10W	216	276	100	3.8