



INTELLIGENT FACILITY SOLUTIONS

Electric Works, 3 Concourse Way

Sheffield, S1 2BJ, United Kingdom

Phone UK: +44 (0) 114 354 0047

Phone Eire: +353 190 36387

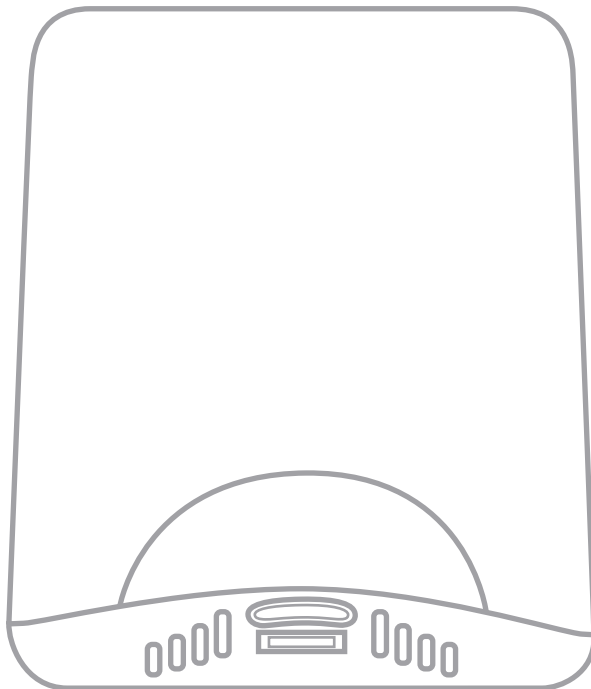
sales@ihdryers.co.uk

<https://www.intelligenthanddryers.com/>



Product Instruction Manual

Jetstream Curve



JETC18W, JETC18S, JETC18BSS
1.8kW automatic hand dryer

Thank you for purchasing a Hyco Jetstream Curve high speed automatic hand dryer. Recent research and developments in hand dryer technology have given greater emphasis on air flow, minimising hand drying times and lowering energy consumption. The Jetstream Curve hand dryer features a modern stylish design and offers ultra fast hand drying performance.

Before installing this product, please take time to study and understand these instructions.

Do not proceed with assembly or operation if there is sign of any damage to the product. If you have any queries regarding operation or installation please contact our technical department on 01924 225200.

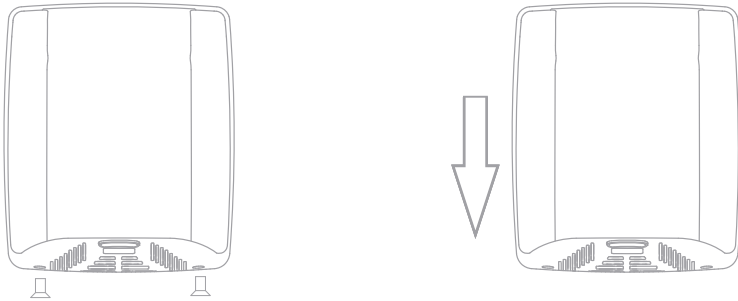
1. Important safety points

- The Electrical installation must be carried out by a qualified electrician in accordance with the current edition of the I.E.E. Wiring Regulations
- This appliance must be earthed
- Means for electrical disconnection must be incorporated in the fixed wiring in accordance with the wiring rules
- Only connect the hand dryer to a single phase supply with a mains voltage as specified on the rating plate
- The hand dryer must be fixed out of reach of a person taking a bath or shower
- This appliance can be used by children aged from 8 years and above and persons with reduced physical, sensory or mental capabilities or lack of experience and knowledge if they have been given supervision or instruction concerning use of the appliance in a safe way and understand the hazards involved. Children shall not play with the appliance. Cleaning and user maintenance shall not be made by children without supervision
- Do not cover the air inlet or outlet
- Ensure nothing is located within a minimum of 40cm below the air outlet.

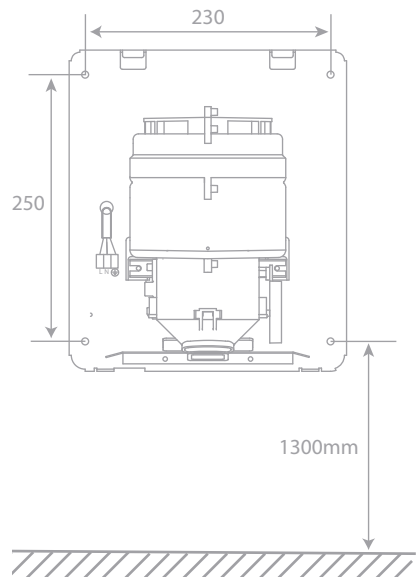
2. Installation

Wall Mounting

- Ensure that the surface selected for mounting the hand dryer is suitable for the weight of the product.
 - Ensure nothing is within a minimum of 40cm below the air outlet.
 - Do not locate above any shiny or reflective surface.
1. Remove the two screws, located at the bottom of the unit, with the Allen key provided. Gently slide the cover down to release the lugs, located at the top of the unit.

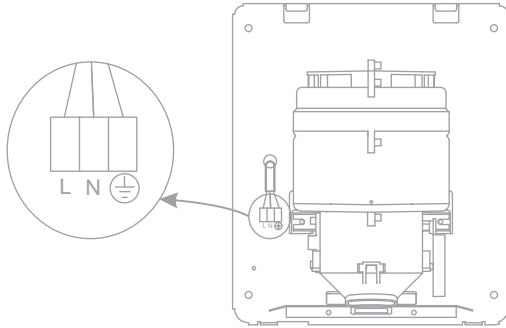


2. Mark and drill four 7mm holes to a depth of 40mm, following the diagram to the right, insert the wall plugs provided.
3. Position the hand dryer back plate over the four holes and feed the electrical wiring through the hole in the back plate, located above the terminal block. Place the four screws into the holes and drive them in firmly, ensuring the unit is fixed to the wall with no movement.



Electrical

1. Make the electrical connection as illustrated in the diagram below.



2. Refit the front cover, ensuring the lugs in the back plate engage with the slots in the cover. Replace the 2 retaining screws at the bottom of the unit.

3. Operation

- Shake off excess water from wet hand hands.
- Hold wet hands directly below the air outlet; this will start the unit automatically.
- Remove wet hands when dry; this will automatically stop the unit.



The hand dryer will automatically stop after 60 seconds of continuous usage, to restart, remove and replace hands.



Do not fully cover the outlet.

4. Maintenance



Always isolate the hand dryer from the power supply before commencing any maintenance.

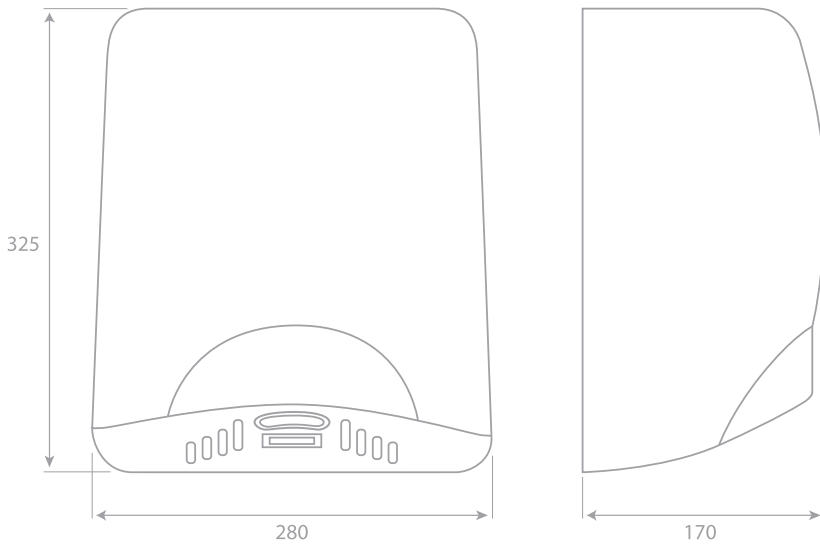


Never use abrasive chemicals or materials to clean the hand dryer.

- Clean the exterior of the hand dryer using a soft damp cloth.
- Ensure the outlet is kept free from debris and any other potential blockages.
- In the unlikely event of a hand dryer malfunction, discontinue use and isolate the power. Contact the technical helpline on 01924 225200.
- If the power cord shows signs of damage discontinue usage and arrange for a professional electrician to inspect/replace it.

5. Specifications

Voltage	230V~50Hz
Power	1.8kW
Air speed	80m/s
Sound level	78dB
IP Rating	IPX1
Weight	5.4kg



6. Guarantee and service policy

This product is guaranteed against faulty materials and manufacture for a period of one year from the date of purchase. Hyco will in its sole discretion replace, repair or refund any faulty unit. Incorrect installation and failure to follow correct operating instructions are excluded. Consequential costs such as labour charges or damage to surroundings are expressly excluded.



INFORMATION FOR CORRECT DISPOSAL OF THE PRODUCT IN ACCORDANCE WITH THE EUROPEAN DIRECTIVE 2002/96/E.

At the end of its working life this equipment must not be disposed of as household waste. It must be taken to a local authority waste collection centre or to a dealer providing this service. Disposing of electrical and electronic equipment separately enables its components to be recovered and recycled to obtain significant savings in energy and resources. In order to underline the duty to dispose of this equipment separately, the product is marked with a crossed out dustbin.