



INTELLIGENT FACILITY SOLUTIONS

Electric Works, 3 Concourse Way

Sheffield, S1 2BJ, United Kingdom

Phone UK: +44 (0) 114 354 0047

Phone Eire: +353 190 36387

sales@ihdryers.co.uk

<https://www.intelligenthanddryers.com/>

Jetstream Arc

1.1 kW Automatic Hand Dryer
Energy Efficient



p. 68

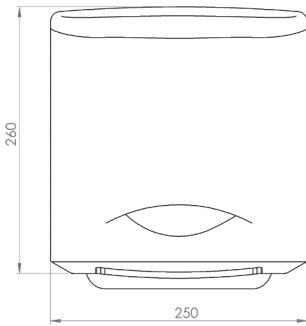
Usage

Suitable for many public washroom applications including restaurants, shops and shopping centres, office buildings, pubs, motorway services, factories and supermarkets.

Features and Benefits

- Exceptional value for money
- High speed giving fast hand drying times
- Saves energy relative to traditional hand dryers from reduced drying times
- Modern stylish design
- Hygienic automatic operation reduces the risk of spreading germs
- Low 1.1 kW power rating
- Option to reduce power rating to 0.65 kW by switching off the heating element to increase energy efficiency
- Durable, easy clean, white ABS case

Product Code	Finish	Power (kW)	Sound Level (dB)	Dry Time (seconds)	Air Speed (m/s)
JET11W	White	1.1	72	10 - 15	90

**Outer Casing**

White ABS casing

Heating Element

450 W (on/off setting)

Motor

650 W

Carbon brush

24,000 – 27,000 RPM

Current

5 amps

Air Speed

90 m/s

Operation

Touch free automatic.

Safety

Overheat temperature protection.

Safety timer prevents continuous running.

IP Rating

IPX1

InstallationFull fixing pack supplied.
Cable entry bottom right at the base of the unit.**Electrical Connection**

Installation must comply with current IEE Regulations.

The product should be connected to the fixed wiring of the property via a double pole fused spur with a minimum break capacity of 13 amps.

Class II

Approvals

CE

Standard Warranty

1 year parts or replacement warranty.

Product Code	Height (mm)	Width (mm)	Depth (mm)	Weight (kg)
JET11W	260	250	180	3.2