



INTELLIGENT FACILITY SOLUTIONS

Electric Works, 3 Concourse Way

Sheffield, S1 2BJ, United Kingdom

Phone UK: +44 (0) 114 354 0047

Phone Eire: +353 190 36387

sales@ihdryers.co.uk

<https://www.intelligenthanddryers.com/>



Product Instruction Manual

Jetstream Arc



JET11W

1.1kW automatic hand dryer

Please read these instructions before commencing installation. Upon completion of installation ensure the instructions are left with the user/maintainer of the product.

Thank you for purchasing a Hyco Jetstream Arc high speed automatic hand dryer. Recent research and developments in hand dryer technology have given greater emphasis on air flow, minimising hand drying times and lowering energy consumption. The Jetstream Arc features a durable yet stylish design and offers ultra fast hand drying performance.

1. Important safety points

- Electrical installation must be carried out by a qualified electrician in accordance with the latest electrical regulations.
- Isolate electrical supply before installation.
- Electrical connection must be made to the fixed wiring of the property having a contact separation in all poles that provide full disconnection from the supply mains.
- Only connect the hand dryer to a single phase supply with a mains voltage as specified on the rating plate.
- The hand dryer must be installed out of reach of persons using a bath or shower.
- Do not cover the air inlet or outlet.
- During user maintenance please ensure that the mains supply is switched off.
- This appliance can be used by children aged 8 years and above and persons with reduced physical, sensory or mental capabilities or lack of experience and knowledge if they have been given supervision or instruction concerning use of the appliance in a safe way and understand the hazards involved.
- Children shall not play with the appliance.
- The appliance is intended for vertical mounting and must be installed the correct way up (hot outlet at the bottom).
- The appliance is intended for drying hands only.

2. Installation

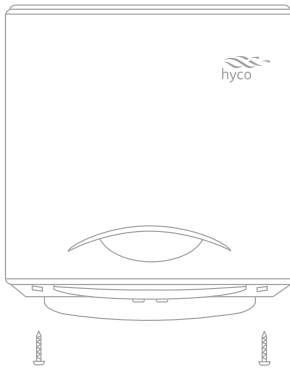
Wall mounting

- Ensure that the surface selected for mounting the hand dryer is suitable for the weight of the product.
- Ensure nothing is within a minimum of 400mm below the air outlet.

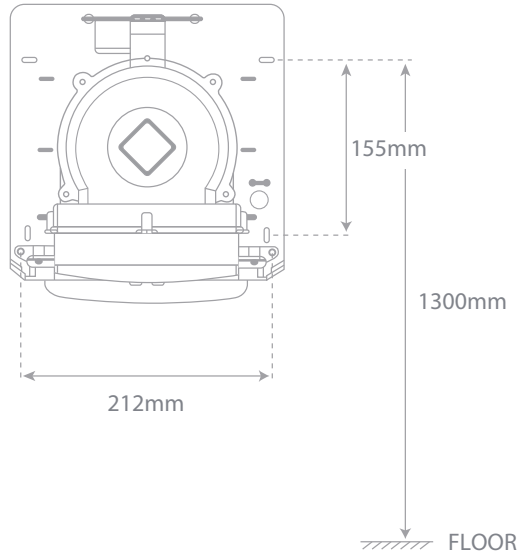


Do not locate above any shiny or reflective surface.

- 1 To remove the cover first remove the two screws, located at the bottom of the unit, using a pozi-head screwdriver. Gently prise the cover off by pulling the bottom of the cover towards you.



- ② Mark and drill four holes, following the diagram below. Insert the wall plugs provided.



- ③ Position the hand dryer back plate over the four holes and feed the mains cable through the hole in the back plate, located above the terminal block.
- ④ Place the four screws into the holes and drive them in firmly, ensuring the unit is fixed to the wall with no movement.
- ⑤ Make the electrical connection by connecting Live and Neutral wires to the terminal block connections marked L and N.
- ⑥ Refit the front cover by lining up the bottom of the cover with the back plate and then clip on the top of the cover by gently pushing into place. Replace the 2 retaining screws.

3. Operation

- ① Ensure on/off power switch is set to ON position.
- ② Shake off excess water from wet hands.
- ③ Hold wet hands directly below the air outlet, approximately 12cm away; this will start the unit automatically. Rub hands together until dry.
- ④ Remove hands when dry; this will automatically stop the unit.

Note - this unit has a heating element on/off switch. In the OFF position the hand dryer will deliver cold air only.



The hand dryer will automatically stop after 50 seconds of continuous usage; to restart, remove and replace hands.



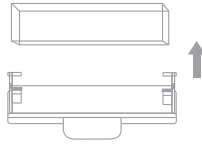
Do not cover the outlet.

4. Maintenance

- During user maintenance please ensure that the mains supply is switched off.
- Never use abrasive chemicals or material to clean the hand dryer.

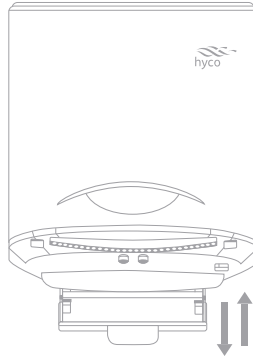
- 1 Clean the exterior of the hand dryer using a soft damp cloth.
- 2 Ensure the outlet is kept free from debris and any other potential blockages.

- 3 Check filter and shake off dust if necessary (see diagram right).



Do not wash the filter with water.

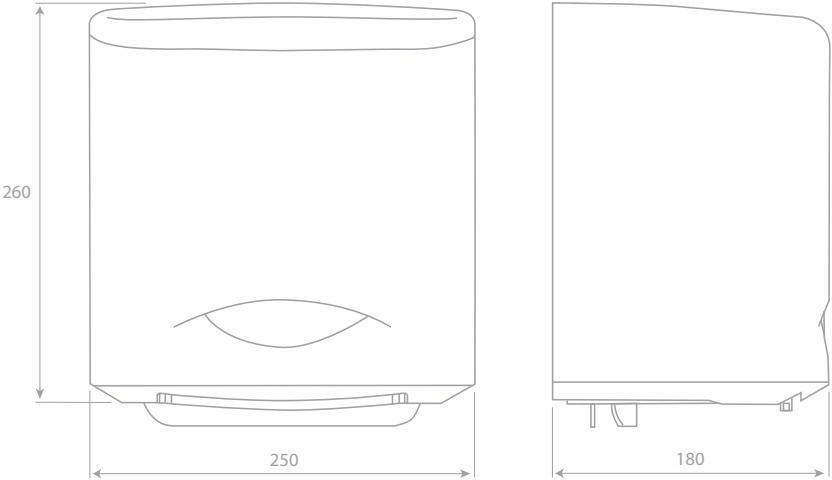
- 4 Replace filter and return to original position (see diagram below).



- 5 In the unlikely event of a hand dryer malfunction, discontinue use and isolate the power. Contact the technical helpline on 01924 225200.
- 6 If the power cord shows signs of damage discontinue usage and arrange for a professional electrician to inspect/replace it.
- 7 If the air volume reduces it could be a sign that the filter is blocked and requires cleaning or replacing.

5. Specifications

Voltage / Frequency	230V~50Hz
Current	5A
Total Power	1100W
Heating Element	450W
Motor	650W
Dimensions	260 x 250 x 180mm
Sound Level	72dB
Air Speed	90m/s
Weight	3.16Kg
IP Rating	IPX1





INFORMATION FOR CORRECT DISPOSAL OF THE PRODUCT IN ACCORDANCE WITH THE EUROPEAN DIRECTIVE 2002/96/E.

At the end of its working life this equipment must not be disposed of as household waste. It must be taken to a local authority waste collection centre or to a dealer providing this service. Disposing of electrical and electronic equipment separately enables its components to be recovered and recycled to obtain significant savings in energy and resources. In order to underline the duty to dispose of this equipment separately, the product is marked with a crossed out dustbin.

6. Guarantee and service policy

This product is guaranteed against faulty materials and manufacture for a period of one year from the date of purchase. Hyco will in its sole discretion replace, repair or refund any faulty unit. Incorrect installation and failure to follow correct operating instructions are excluded. Consequential costs such as labour charges or damage to surroundings are expressly excluded.