



INTELLIGENT FACILITY SOLUTIONS

Electric Works, 3 Concourse Way, Sheffield, S1 2BJ

United Kingdom: +44 (0) 114 354 0047

Eire: +353 190 36387

sales@ihdryers.co.uk

www.intelligenthanddryers.com



BI-TAP WASH AND DRY SERIES

DECK MOUNTED

Hand dryer + Water & soap dispenser tap



Sensor hand dryer: IFSM092A-ANON



Soap & Water Sensor Tap: IFSGAJ002A-ANON

Full set code: IFSUCM092A-ANON

General description

- Dryflow® Bi-Tap wash & dry is a countertop mounted hand dryer tap and a water and soap dispenser faucet, all ready to work together as one beautiful, touch-free, hygienic and highly efficient system.
- Dryflow® Bi-Tap wash & dry has been thought and designed to avoid water splashing on the floor, to save space and to spend less time inside the washroom.
- Engineered with aesthetics and performance in mind, Dryflow® Bi-Tap wash & dry solutions are pure elegance and efficiency. Its smart design, with clean lines and elegant curves and its great functionality, breaks all current design and functional conventions.
- Dryflow® Bi-Tap wash & dry solutions are eco-friendly, saving more than 73% in terms of economical savings vs. similar solutions on the market.
- Dryflow® Bi-Tap wash & dry solutions are also very hygienic because they can incorporate optionally an HEPA media filter, the “Ion Hygienic” technology and an air-freshener tablet.

Components and materials

- **SENSOR OPERATED HAND DRYER (IFSM092A-ANON):** based on one of our most successful hand dryers, the Dryflow® G-force MKII, this countertop mounted hand dryer is capable of drying hands in just 15 seconds thanks to a pleasant jet of air that can reach speeds of 400 Km/h. The tap is made of chrome-plated brass, with a polished finish.
- **SENSOR OPERATED WATER TAP AND SOAP DISPENSER (IFSGAJ002A-ANON):** made of chrome-plated brass, with a polished finish, this faucet dispenses water and soap from the same tap. The sensor placed just on the upper right side of the tap is in charge of dispensing soap whereas the sensor placed just above the water outlet is in charge of opening the valve, making the water come out.

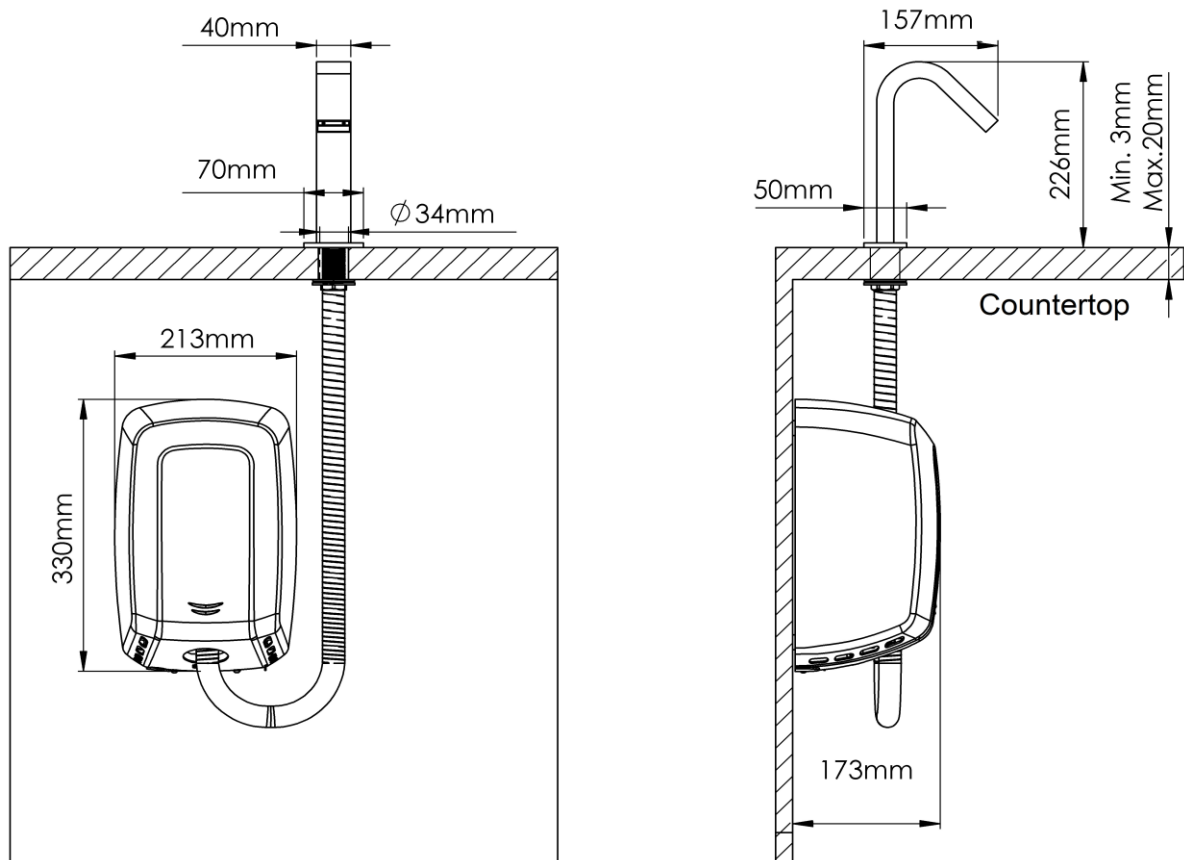
Sensor hand dryer (IFSM092A-ANON)

- Designed to work alongside the sensor operated water and soap dispenser tap IFSGAJ002A-ANON, as well as on its own, this countertop mounted hand dryer makes hand drying easier and faster to the user.
- Dryflow® G-Force MKII is the heart of the Dryflow® Bi-Tap wash and dry series, providing a warm and powerful jet of air and offering a great user experience with fast and efficient drying times up to 15 seconds.
- Furthermore, its touch-free deck mounted system makes all wastewater go into the sink and not onto the floor, keeping a more hygienic and clean washroom and at the same time avoiding slips, a common cause of accidents.

Technical specifications

Voltage	220- 240 V	Cover thickness	1.5 mm
Frequency	50/60 Hz	Drying time	10-15"
Electrical Isolation	Class I	Effective airflow	50-105 m ³ /h (835 -1,755 L/min)
Total power	420 – 1,500 W	Air velocity	190 – 400 Km/h
Consumption	3.2 –6.4 A	Air temperature (10 cm distance/22°C)	42 °C
Standby consumption	0.3 W	Sound pressure ⁽¹⁾ (at 2m)	67-72 dBA
Motor power	420 – 1,100 W	Protection rating	IP23
Rpm	19,000 – 30,000	HEPA filter media	Optional
Heating element power	400 W ("ON/OFF" switch)	Plug-in system	Optional
Security cut-off	60"	Ionizer ("Ion Hygienic")	Optional
Dimensions	330x213x170 mm	Air-freshener tablet	Optional

Dimensions



Dimensions: ± 4%

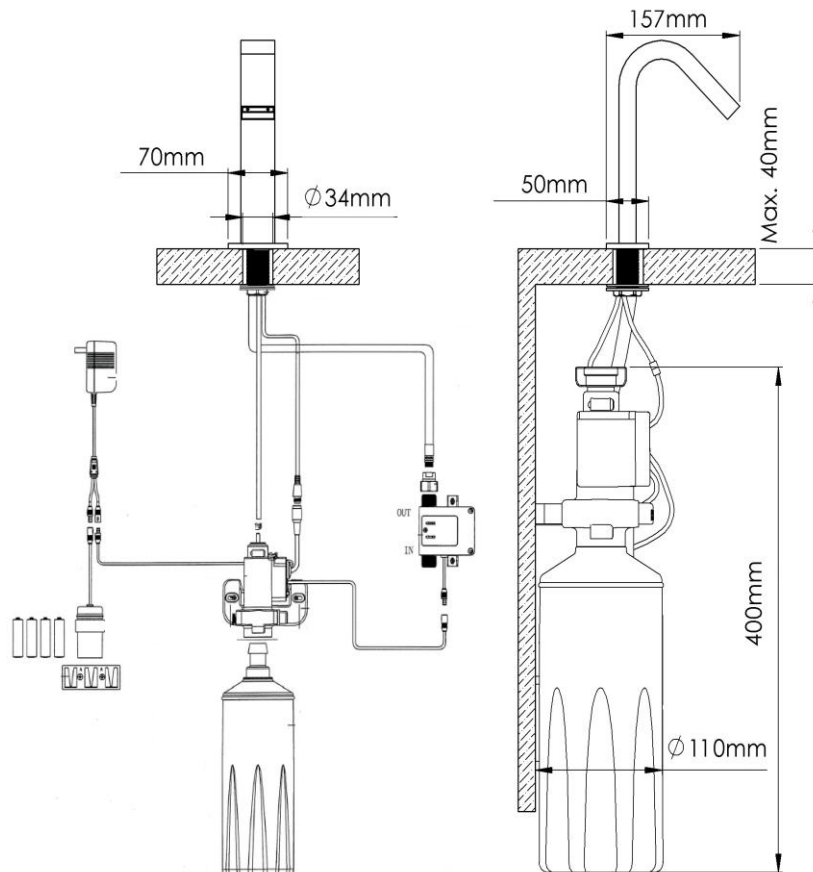
Sensor water and soap dispenser tap (IFSGAJ002A-ANON)

- This touch-free tap dispenses both soap and water, is entirely manufactured in chrome-brass with a polished finish, from the highest quality materials.
- It can work together with the sensor operated hand dryer IFSM092A-ANON or on its own.
- The touch-free automatic system of this faucet helps to optimise flow rate water and thereby supporting long-term ecological balance.
- The soap is contained in a plastic bottle of 1.5L capacity, easy to be removed for refilling, and it is dosed by a high resistance anti-drip valve.
- The soap dose can be adjustable between 0.5 mm and 2 ml, in doses of 0.5, 1.0, 1.5 or 2.0 ml.

Technical specifications

Soap dispenser	Faucet
Power supply (adaptor)	220-240V – 50/60Hz
Battery life	35,000 – 40,000 hand wash cycles (water + soap)
Sensor range	5-25 cm
Security cut-off	---
Recommended soap viscosity	100 – 3,500 cps
Soap dose	0.5, 1.0, 1.5 or 2.0 ml
Sensor range	5-25 cm
Security cut-off	60"
Water pressure work range	0.5 – 8 bars
Water flow (at 3bar)	5.0 L/min

Dimensions



Dimensions: ± 4%