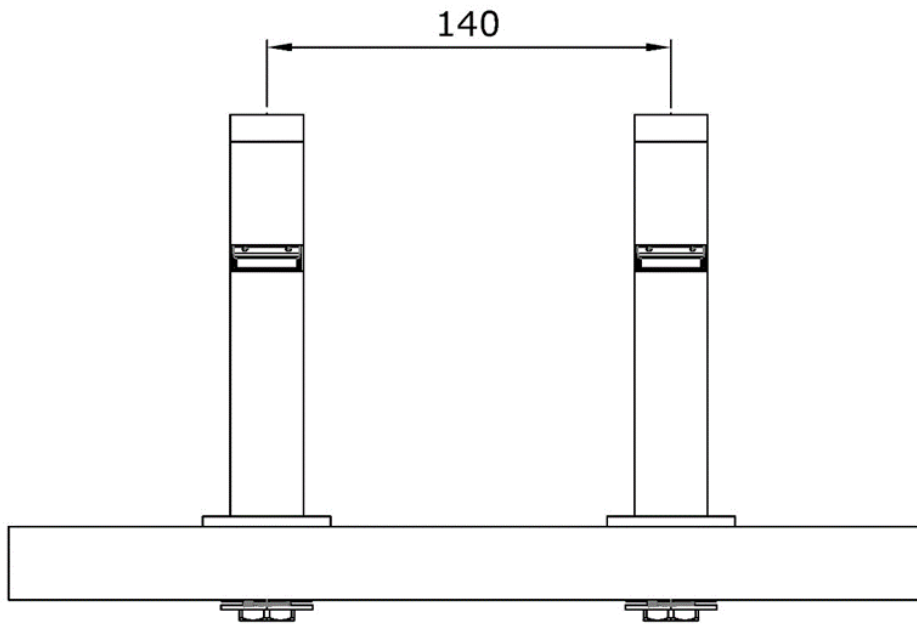




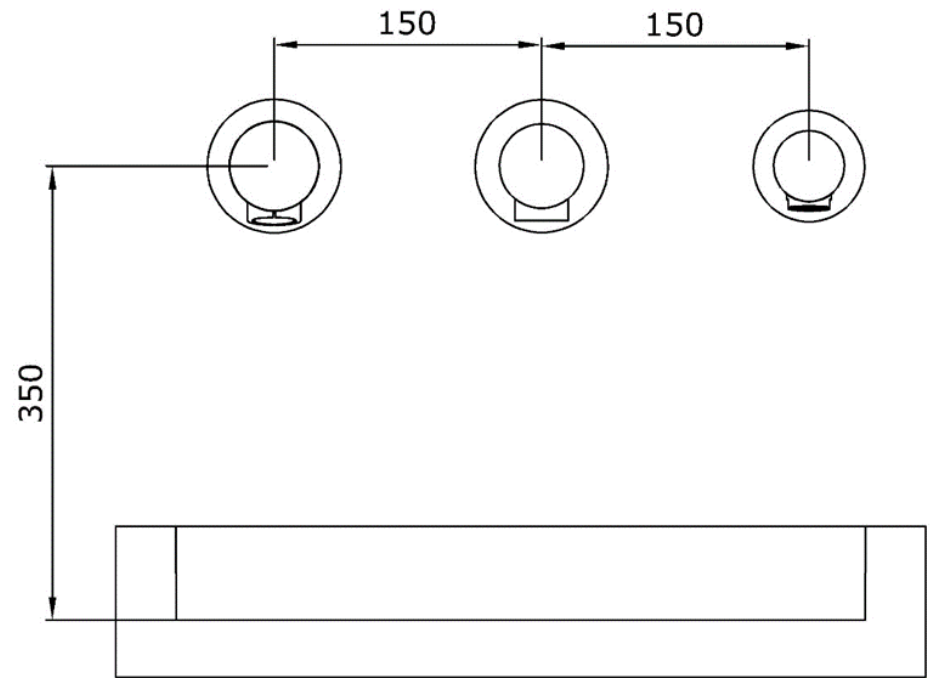
Dryflow

Bi-Tap and Tri-Tap Series Recommended Fitting Distances (in mm)

Bi-Tap Series



Tri-Tap Series



The sink must have a depth of at least 120mm, with vertical walls and not excessively rounded edges to avoid splashing