

# Dryflow G-Force Eco

riba  
product  
selector

Recommended traffic:

<300 uses a day

## High speed, energy efficient and robust

Approx. cost per 1000 dries:

 40p – 75p

Guarantee period:

 3 Years

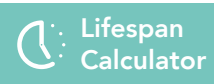
- Solid stainless steel brushed satin or polished chrome and white ABS options available
- Produces dry times that will not disappoint whilst emitting a relatively low noise level
- An intelligent heating system is a real bonus as it makes sure running costs and energy use are kept low with the unit working most of the time at just 750W. The heater element is only activated if the washroom temperature drops below 25°C
- It can cope with unforgiving environments with the cover made of high quality, vandal resistant ABS or stainless steel
- Compact dimensions, solid motor life and a modern design make it suitable for all types of medium traffic locations
- It comes complete with a standard filter which removes dust and particles from the air taken into the unit.



# Dryflow G-Force Eco

<b>Electrical Supply Voltage</b>	220-240 V
<b>Electrical Supply Frequency</b>	50/60 Hz
<b>Expected Motor Life</b>	1500 Hours
<b>Dry Time Range</b>	15 – 20 seconds
<b>Rated Power</b>	0.75 – 1.4 kW
<b>Approx. Watt-Hours per Dry</b>	3.33 – 6.22 Wh
<b>Heater Element Power</b>	650 W
<b>Operating Sound Level</b>	75dB at 1M
<b>Motor Speed</b>	23000 RPM
<b>Air Speed</b>	248 MPH
<b>Operating Temperature Range</b>	At ambient temp (20°C) – 40°C
<b>Motor Cut off Time</b>	60 Seconds
<b>Motor Class</b>	Class II
<b>Materials</b>	ABS or stainless steel
<b>Weight</b>	3.2 kg
<b>Finishes Available and Codes</b>	White (GF01-2) Brushed Satin (GF02-2) Polished Chrome (GF03-2)
<b>IP rating</b>	IP23 (Protection from a large part of the body such as the hand, from solid objects greater than 50mm in diameter; Protection from sprayed water)
<b>Cable Entry Point</b>	Rear or bottom

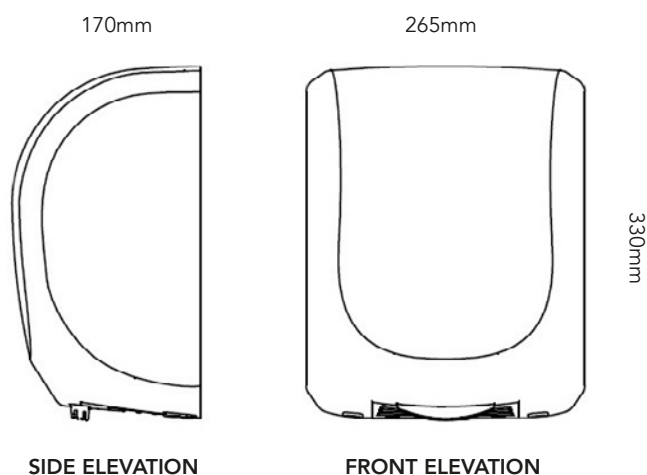
## Online information



## Installation summary

Mounting template provided to position the drill holes correctly

- The cover of the hand dryer is removed by removing the 2 screws at the bottom of the hand dryer
- Using an 8mm drill bit, drill the 4 holes required
- Connect power supply from fuse spur to hand dryer terminal and connect all other electrical requirements
- Attach base unit to wall with 4 provided screws into the predrilled holes
- Replace the cover and secure using the 2 screws at the bottom of the hand dryer.



# For more information

---

[intelligenthanddryers.com](http://intelligenthanddryers.com)

+44 (0) 114 354 0047

[sales@ihdryers.co.uk](mailto:sales@ihdryers.co.uk)

---

Intelligent Facility Solutions

Electric Works,

3 Concourse Way,

Sheffield

S1 2BJ