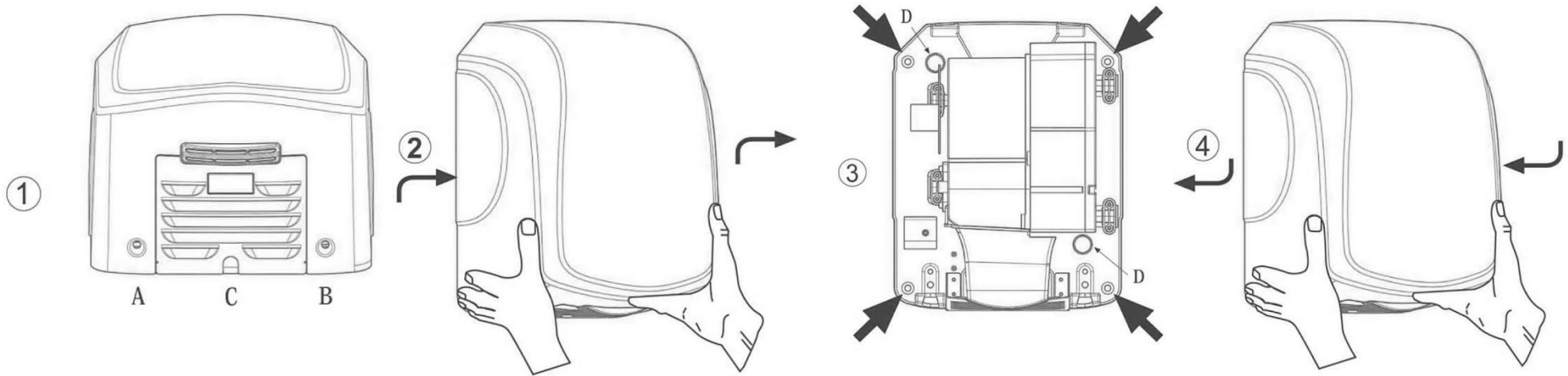




Dryflow G-Force Eco Hand Dryer



INSTRUCTIONS FOR THE INSTALLATION OF THE DRYFLOW G-FORCE ECO HAND DRYER GF01-2 / GF02-2 / GF03-2 (230V ~ 50Hz, Total Power: 1400w / Class II / IP23):

- 1) Unscrew A and B.
- 2) Remove cover, following the direction of the arrows.
- 3) This hand dryer has 2 installation options for (electric) mains supply:
 - a. Direct connection to cable embedded in wall. In this case, the cable is introduced through the opening D and connected up to the connection panel.
 - b. When the mains supply is far from the appliance, use a flexible cord for the hand dryer. The cord should pass through the opening C of figure 1 and be fixed by the incorporated cord anchorage within the connection box of the appliance.

NOTE: The cable size shall be 2x1.5mm². Use cable according to the national requirements (Use cable H05RN-F).

Mark 4 points on the wall with the attached drawing and drill holes of Ø 8mm, using the enclosed sockets and screws to fix the appliance as the indication figure 3.

IMPORTANT: A multi-pole disconnection switch, with a minimum contact separation of 3mm, should be incorporated into the installation.

A fuse of 10A or 16A depending on the country requirements shall be installed in the fixed insulation.

The appliance should be installed at a minimum distance of 0.6m from water sources (sinks, etc.).

- 4) Reinstall the cover to the enclosure following the direction of the arrows and screw A and B of figure 1 tightly.

OPERATION: Appliance will work immediately once you put the hands under the air nozzle. The same way, when your hands leave, it will shut off at the same time.

OBSERVATIONS: This appliance is not suitable for using in public areas where there is frequently dampness, such as swimming-pools or shower rooms. This appliance is not intended for use by persons (including children) with reduced physical, sensory or mental capabilities, or lack of experience and knowledge, unless they have been given supervision or instruction concerning use of the appliance by a person responsible for their safety. Children should be supervised to ensure that they do not play with the appliance.

MAINTENANCE: Clean the exterior part of the unit with a damp cloth.